



BOTTOM-MOUNT REFRIGERATOR

Use & Care Guide

For questions about features, operation/performance, parts, accessories or service, call: **1-800-422-1230**
or visit our website at www.kitchenaid.com

In Canada, call: **1-800-807-6777** or visit our website at www.KitchenAid.ca

RÉFRIGÉRATEUR SUPERPOSÉ

Guide d'utilisation et d'entretien

Au Canada, pour assistance, installation ou service composez le **1-800-807-6777** ou visitez notre site web à www.KitchenAid.ca

Table of Contents/Table des matières2

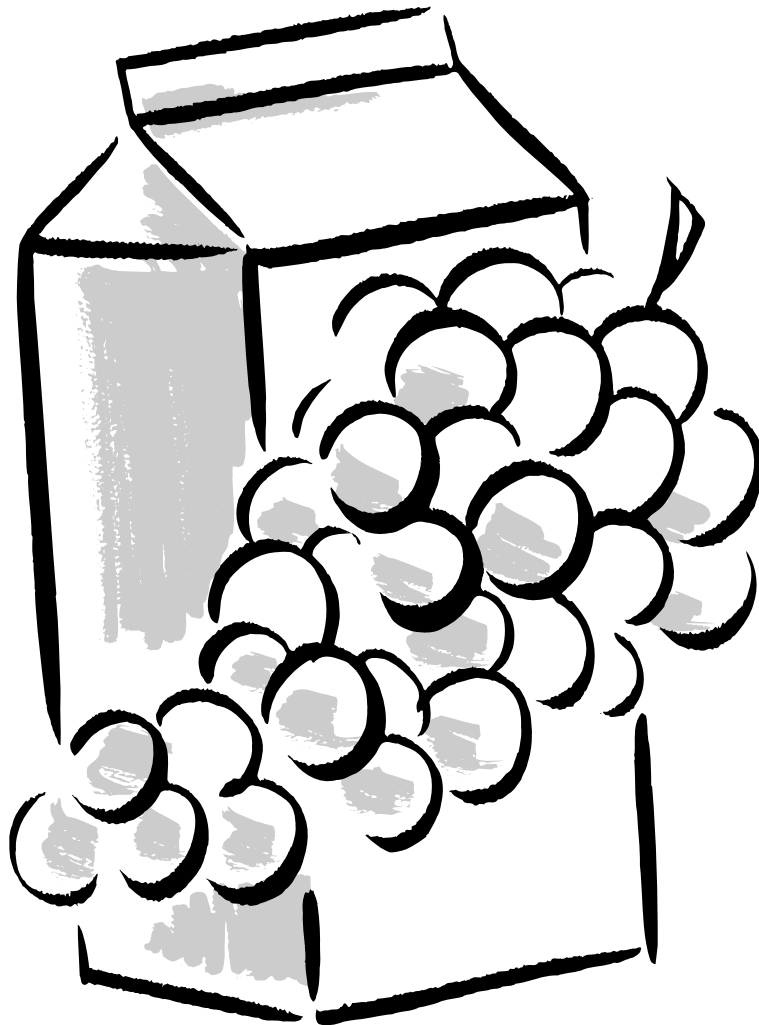


TABLE OF CONTENTS

REFRIGERATOR SAFETY	3	Crisper and Crisper Cover	18
Proper Disposal of Your Old Refrigerator	3	Crisper Humidity Control.....	19
INSTALLATION INSTRUCTIONS	4	Temperature-Controlled Drawer	19
Unpack the Refrigerator	4	Utility or Egg Bin	20
Location Requirements	4	FREEZER FEATURES	20
Electrical Requirements	5	Freezer Baskets.....	20
Water Supply Requirements	5	DOOR FEATURES	20
Connect the Water Supply	6	Door Retainer	20
Base Grille	7	Door Bins.....	20
Refrigerator Door.....	7	Utility Compartment	20
Freezer Drawer	8	REFRIGERATOR CARE	21
Adjust the Door	12	Cleaning.....	21
Water System Preparation	12	Changing the Light Bulb.....	21
Factory Trim Kit.....	13	Power Interruptions	22
Normal Sounds	14	Vacation and Moving Care.....	22
REFRIGERATOR USE	15	TROUBLESHOOTING	23
Ensuring Proper Air Circulation.....	15	ASSISTANCE OR SERVICE	25
Using the Controls	15	In the U.S.A.	25
Water Dispenser.....	17	In Canada	25
Water Filter Status Light.....	17	Accessories	25
Water Filtration System.....	17	WATER FILTER CERTIFICATIONS	26
Ice Maker.....	17	PRODUCT DATA SHEETS	27
REFRIGERATOR FEATURES	18	WARRANTY	28
Refrigerator Shelves	18		

TABLE DES MATIÈRES

SÉCURITÉ DU RÉFRIGÉRATEUR	29	CARACTÉRISTIQUES DU RÉFRIGÉRATEUR	45
Mise au rebut de votre vieux réfrigérateur.....	29	Tablettes du réfrigérateur	45
INSTRUCTIONS D'INSTALLATION	30	Bac à légumes et couvercle.....	45
Déballage du réfrigérateur	30	Réglage de l'humidité dans le bac à légumes.....	46
Emplacement d'installation.....	30	Tiroir à température contrôlée.....	46
Spécifications électriques	31	Casier utilitaire ou oeufrier.....	47
Spécifications de l'alimentation en eau	31	CARACTÉRISTIQUES DU CONGÉLATEUR	47
Raccordement de la canalisation d'eau	32	Paniers de congélateur	47
Grille de la base.....	33	CARACTÉRISTIQUES DE LA PORTE	47
Porte du réfrigérateur	33	Dispositif de retenue de la porte	47
Tiroir du congélateur	34	Balconnets dans la porte	47
Ajustement de la porte.....	38	Compartiment utilitaire	48
Préparation du système d'eau	38	ENTRETIEN DU RÉFRIGÉRATEUR	48
Ensemble décoratif de l'usine.....	39	Nettoyage	48
Sons normaux	40	Remplacement de l'ampoule d'éclairage	49
UTILISATION DU RÉFRIGÉRATEUR	41	Pannes de courant	49
Pour s'assurer d'une circulation d'air appropriée	41	Entretien avant les vacances ou lors d'un déménagement.....	49
Utilisation des commandes.....	41	DÉPANNAGE	50
Distributeur d'eau.....	43	ASSISTANCE OU SERVICE	53
Témoins lumineux de l'état du filtre à eau	44	Accessoires	53
Système de filtration d'eau intérieur	44	FEUILLES DE DONNÉES SUR LE PRODUIT	54
Machine à glaçons	44	GARANTIE	55

REFRIGERATOR SAFETY

Your safety and the safety of others are very important.

We have provided many important safety messages in this manual and on your appliance. Always read and obey all safety messages.



This is the safety alert symbol.

This symbol alerts you to potential hazards that can kill or hurt you and others.

All safety messages will follow the safety alert symbol and either the word "DANGER" or "WARNING."

These words mean:

⚠ DANGER

You can be killed or seriously injured if you don't immediately follow instructions.

⚠ WARNING

You can be killed or seriously injured if you don't follow instructions.

All safety messages will tell you what the potential hazard is, tell you how to reduce the chance of injury, and tell you what can happen if the instructions are not followed.

IMPORTANT SAFETY INSTRUCTIONS

WARNING: To reduce the risk of fire, electric shock, or injury when using your refrigerator, follow these basic precautions:

- Plug into a grounded 3 prong outlet.
- Do not remove ground prong.
- Do not use an adapter.
- Do not use an extension cord.
- Disconnect power before servicing.
- Replace all parts and panels before operating.
- Remove doors from your old refrigerator.
- Use nonflammable cleaner.
- Keep flammable materials and vapors, such as gasoline, away from refrigerator.
- Use two or more people to move and install refrigerator.
- Disconnect power before installing ice maker (on ice maker kit ready models only).
- Use a sturdy glass when dispensing ice or water (on some models).

SAVE THESE INSTRUCTIONS

Proper Disposal of Your Old Refrigerator

⚠ WARNING

Suffocation Hazard

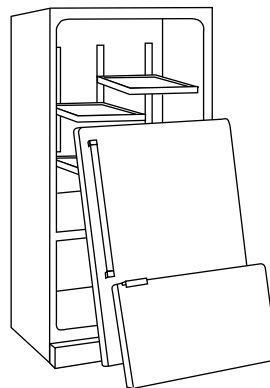
Remove doors from your old refrigerator.

Failure to do so can result in death or brain damage.

IMPORTANT: Child entrapment and suffocation are not problems of the past. Junked or abandoned refrigerators are still dangerous – even if they will sit for "just a few days." If you are getting rid of your old refrigerator, please follow these instructions to help prevent accidents.

Before You Throw Away Your Old Refrigerator or Freezer:

- Take off the doors.
- Leave the shelves in place so that children may not easily climb inside.



INSTALLATION INSTRUCTIONS

Unpack the Refrigerator

⚠ WARNING

Excessive Weight Hazard

Use two or more people to move and install refrigerator.

Failure to do so can result in back or other injury.

Remove the Packaging

- Remove tape and glue residue from surfaces before turning on the refrigerator. Rub a small amount of liquid dish soap over the adhesive with your fingers. Wipe with warm water and dry.
- Do not use sharp instruments, rubbing alcohol, flammable fluids, or abrasive cleaners to remove tape or glue. These products can damage the surface of your refrigerator. For more information, see "Refrigerator Safety."
- Properly dispose of packaging.

When Moving Your Refrigerator:

Your refrigerator is heavy. When moving the refrigerator for cleaning or service, be sure to protect the floor. Always pull the refrigerator straight out when moving it. Do not wiggle or "walk" the refrigerator when trying to move it, as floor damage could occur.

Clean Before Using

After you remove all of the packaging materials, clean the inside of your refrigerator before using it. See the cleaning instructions in "Refrigerator Care."

Important information to know about glass shelves and covers:

Do not clean glass shelves or covers with warm water when they are cold. Shelves and covers may break if exposed to sudden temperature changes or impact, such as bumping. For your protection, tempered glass is designed to shatter into many small, pebble-size pieces. This is normal. Glass shelves and covers are heavy. Use special care when removing them to avoid impact from dropping.

Location Requirements

⚠ WARNING



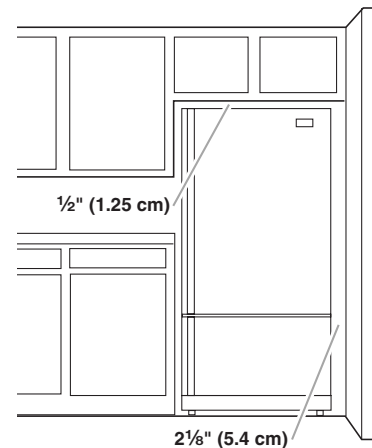
Explosion Hazard

Keep flammable materials and vapors, such as gasoline, away from refrigerator.

Failure to do so can result in death, explosion, or fire.

- Your refrigerator is designed for indoor, household use only.
- To ensure proper ventilation for your refrigerator, allow for a ½" (1.25 cm) space at the top and behind the refrigerator.
- If your refrigerator has an ice maker, allow extra space at the back for the water line connections.
- When installing your refrigerator next to a fixed wall, leave 2 ⅛" (5.4 cm) minimum on each side (depending on your model) to allow for the door to swing open.

NOTE: It is recommended that you do not install the refrigerator near an oven, radiator, or other heat source. Do not install the refrigerator in a location where the temperature will fall below 55°F (13°C).



Electrical Requirements

⚠ WARNING



Electrical Shock Hazard

Plug into a grounded 3 prong outlet.

Do not remove ground prong.

Do not use an adapter.

Do not use an extension cord.

Failure to follow these instructions can result in death, fire, or electrical shock.

Before you move your refrigerator into its final location, it is important to make sure you have the proper electrical connection.

Recommended Grounding Method

A 115 Volt, 60 Hz., AC only 15- or 20-amp fused, grounded electrical supply is required. It is recommended that a separate circuit serving only your refrigerator be provided. Use an outlet that cannot be turned off by a switch. Do not use an extension cord.

NOTE: Before performing any type of installation, cleaning, or removing a light bulb, turn the control (Thermostat, Refrigerator or Freezer Control depending on the model) OFF and then disconnect the refrigerator from the electrical source. When you are finished, reconnect the refrigerator to the electrical source and reset the control (Thermostat, Refrigerator or Freezer Control depending on the model) to the desired setting.

Water Supply Requirements

Read all directions before you begin.

IMPORTANT:

- If you turn the refrigerator on before the water line is connected, turn the ice maker OFF.
- All installations must meet local plumbing code requirements.
- Use copper tubing and check for leaks. Install copper tubing only in areas where the household temperatures will remain above freezing.

TOOLS NEEDED: Gather the required tools and parts before starting installation. Read and follow the instructions provided with any tools listed here. Flat-blade screwdriver, $\frac{7}{16}$ " and $\frac{1}{2}$ " open-end wrenches or two adjustable wrenches, $\frac{1}{4}$ " nut driver and drill bit, hand drill or electric drill (properly grounded).

NOTE: Your refrigerator dealer has a kit available with a $\frac{1}{4}$ " (6.35 mm) saddle-type shutoff valve, a union, and copper tubing. Before purchasing, make sure a saddle-type valve complies with your local plumbing codes. Do not use a piercing-type or $\frac{3}{16}$ " (4.76 mm) saddle valve which reduces water flow and clogs more easily.

Water Pressure

A cold water supply with water pressure of between 35 and 100 psi (241- 689 kPa) is required to operate the water dispenser and ice maker. If you have questions about your water pressure, call a licensed, qualified plumber.

Reverse Osmosis Water Supply

IMPORTANT: The pressure of the water supply coming out of a reverse osmosis system going to the water inlet valve of the refrigerator needs to be between 35 and 100 psi (241- 689 kPa).

If a reverse osmosis water filtration system is connected to your cold water supply, the water pressure to the reverse osmosis system needs to be a minimum of 40 to 60 psi (276 - 414 kPa).

If the water pressure to the reverse osmosis system is less than 40 to 60 psi (276 - 414 kPa):

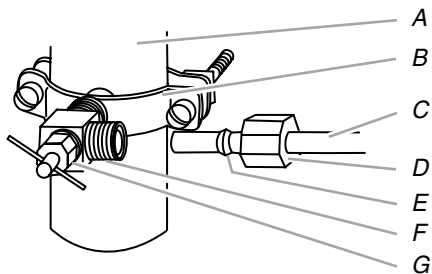
- Check to see whether the sediment filter in the reverse osmosis system is blocked. Replace the filter if necessary.
- Allow the storage tank on the reverse osmosis system to refill after heavy usage.
- If your refrigerator has a water filter, it may further reduce the water pressure when used in conjunction with a reverse osmosis system. Remove the water filter. See "Water Filtration System."

If you have questions about your water pressure, call a licensed, qualified plumber.

Connect the Water Supply

Connect to Water Line

1. Unplug refrigerator or disconnect power.
2. Turn OFF main water supply. Turn ON nearest faucet long enough to clear line of water.
3. Find a 1/2" to 1 1/4" (12.7 mm to 3.18 mm) vertical cold water pipe near the refrigerator.
 - IMPORTANT:**
 - Make sure it is a cold water pipe.
 - Horizontal pipe will work, but the following procedure must be followed: Drill on the top side of the pipe, not the bottom. This will help keep water away from the drill. This also keeps normal sediment from collecting in the valve.
4. To determine the length of copper tubing you will need, measure from connection on lower right rear of refrigerator to water pipe. Add 7 ft (2.1 m) to allow for moving refrigerator for cleaning. Use 1/4" (6.35 mm) O.D. (outside diameter) copper tubing. Be sure both ends of copper tubing are cut square.
5. Using a grounded drill, drill a 1/4" hole in the cold water pipe you have selected.

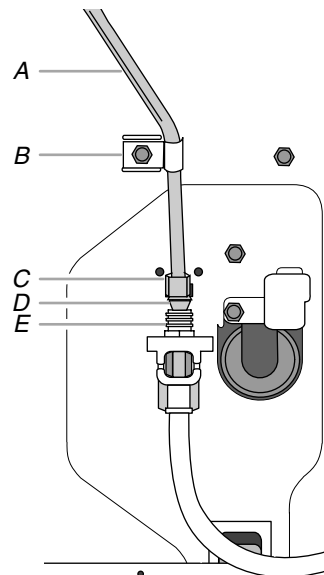


A. Cold water pipe
B. Pipe clamp
C. Copper tubing
D. Compression nut
E. Compression sleeve
F. Shutoff valve
G. Packing nut

6. Fasten shutoff valve to cold water pipe with pipe clamp. Be sure outlet end is solidly in the 1/4" drilled hole in the water pipe and that rubber washer is under the pipe clamp. Tighten packing nut. Tighten the pipe clamp screws slowly and evenly so rubber washer makes a watertight seal. Do not overtighten or you may crush the copper tubing, especially if soft (coiled) copper tubing is used. Now you are ready to connect the copper tubing.
7. Slip compression sleeve and compression nut on copper tubing as shown. Insert end of tubing into outlet end squarely as far as it will go. Screw compression nut onto outlet end with adjustable wrench. Do not overtighten.
8. Place the free end of the tubing into a bucket or sink. Turn ON main water supply and flush out tubing until water is clear. Turn OFF shutoff valve on the water pipe. Check for leaks. Coil copper tubing.

Connect to Refrigerator

1. Remove plastic cap from water valve inlet port. Attach the copper tube to the valve inlet using a compression nut and sleeve as shown. Tighten the compression nut. Do not overtighten. Confirm copper tubing is secure by pulling on copper tubing.
2. Create a service loop using extreme care to avoid kinks. Secure copper tubing to refrigerator cabinet with a "P" clamp.



A. Copper tubing
B. "P" clamp
C. Compression nut
D. Compression sleeve
E. Water valve inlet port

3. Turn on water supply to refrigerator and check for leaks. Correct any leaks.

Complete the Installation

⚠ WARNING



Electrical Shock Hazard

Plug into a grounded 3 prong outlet.

Do not remove ground prong.

Do not use an adapter.

Do not use an extension cord.

Failure to follow these instructions can result in death, fire, or electrical shock.

Plug in refrigerator or reconnect power.

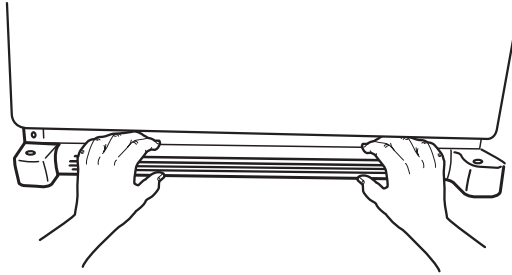
Base Grille

Remove the Base Grille

1. Grasp the grille with both hands.
2. Pull the grille toward you.

Replace the Base Grille

1. See the markings on the inside of the base grille for proper placement.
2. Align the grille mounting clips with the cabinet slots.
3. Push the grille firmly into the cabinet slots until it snaps into place.



Refrigerator Door

Graphics are included later in this section.

Remove and Replace Handles (Architect® Series)

1. Using a $\frac{3}{32}$ " Allen wrench, loosen the two set screws located on the side of each handle. See Graphics 2 and 4.
2. Pull the handle straight out from the door. Make sure you keep the screws for reattaching handles.
3. To replace the handle, reverse the directions.

Remove Handles (Panel Series)

IMPORTANT:

- Remove the door from refrigerator before removing handles.
- You must remove the handles to remove the decorator panels or to reverse the door swing.

1. Using a Phillips screwdriver, remove the top door cap. See Graphic 3.
2. Tap the bottom edge of the refrigerator door handle upward with a rubber mallet.
3. Handle will slide up approximately $\frac{3}{4}$ " (19.05 mm) and release from the door.

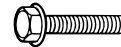
Replace Handles (Panel Series)

1. Make sure the bottom door cap is installed. See Graphic 5.
2. Align handle notches with metal mounting tabs on the side of the door. Slide the handle down until it locks.
3. Tap the top of the handle with a rubber mallet to ensure a snug fit.
4. Using a Phillips screwdriver, reinstall the top door cap.

Remove Door and Hinges

IMPORTANT:

- Remove food and any adjustable door bins or utility bins from doors.
- All graphics referenced in the following instructions are included later in this section after "Final Steps."



$\frac{5}{16}$ " Hex-Head Top Hinge Screw

TOOLS NEEDED: $\frac{5}{16}$ ", $\frac{3}{8}$ ", $\frac{1}{4}$ " hex-head socket wrench, #2 Phillips screwdriver, and a flat-blade screwdriver.

1. Unplug refrigerator or disconnect power.
2. Keep the refrigerator door closed until you are ready to lift it free from the cabinet.

NOTE: Provide additional support for the refrigerator door while the hinges are being moved. Do not depend on the door gasket magnets to hold the door in place while you are working.

3. Remove the parts for the top hinge as shown in Top Hinge Graphic. Lift the refrigerator door free from the cabinet.
4. Remove the parts for the bottom hinge as shown in the Bottom Hinge Graphic.

Reverse Door (Architect® Series)

IMPORTANT: If you want to reverse your doors so they open from the opposite side, follow these steps. If you are not reversing the doors, see "Replace Door and Hinges."



Door Stop Screw



Door Handle Seal Screw Front



Flat-Head Handle Screw



Cabinet Hinge Hole Plug

Cabinet

1. Remove the hinge screws from handle side and move them to opposite side. See Graphic 1-1.
2. Using a flat-blade screwdriver tip wrapped in masking tape, remove the cabinet hinge hole plugs from the cabinet top and move them to the opposite side hinge holes as shown in Graphic 1-2.

Refrigerator door

1. Remove the refrigerator handle assembly including the mounting posts and screws. Keep all parts together. See Graphic 2.
2. Remove the door handle seal screw front. Move to opposite side of refrigerator door as shown in Graphic 5.
3. Remove the door stop from the bottom edge of the refrigerator door. Move to opposite side of refrigerator door as shown in Graphic 3.
4. Attach the door handle mounting posts to the opposite side of the door.
5. Position refrigerator handle over mounting posts as shown in Graphic 2. Drive two set screws in the sides of the handle.
6. Tighten all screws. Set aside the door until the hinges and freezer compartment drawer are in place.

Reverse Door (Panel Series)

IMPORTANT:

- If you want to reverse your door so it opens from the opposite side, follow these steps. If you are not reversing the door, see "Replace Door and Hinges."
 - You must first remove the handle from the panel series refrigerator door to reverse the door swing.
1. Using a flat-blade screwdriver tip wrapped in masking tape, remove the cabinet hinge hole plugs and move them to the opposite side of the cabinet as shown in Graphic 1.
 2. Remove the hinge screws. Move to the opposite side of cabinet. See Graphic 2.
 3. Using a Phillips screwdriver, remove the door stop and door cap located on the bottom edge of the refrigerator compartment. See Graphic 5.
 4. Using a Phillips screwdriver, remove the top door cap.
 5. Remove ¼" hex-head screws from top door extension. Reverse the top door extension so the notched corner turns in toward the interior of the door. See Graphic 3.
 6. Remove the side door trim and handle trim by tapping the bottom edges upward with a soft rubber mallet. The trim will slide up and release from the door. See Graphic 4.

7. Replace the bottom door cap and install the door stop on opposite side of the door. See Graphic 5.
8. Using the alternate side door trim, shipped with the refrigerator, align notches on trim with metal mounting tabs on side of door. Slide the trim down until it locks into place. Tap the top of the trim with a rubber mallet to ensure snug fit.
9. Install handle by aligning handle notches with metal mounting tabs on side of door. Slide the handle down until it locks. Tap top of handle with rubber mallet to ensure snug fit.
10. Using a Phillips screwdriver, install the top door cap.

Replace Door and Hinges

NOTE: When reversing panel series door, use alternate top hinge shipped with refrigerator.

1. Replace the parts for the bottom hinge as shown in Bottom Hinge graphic. Tighten screws. Replace the refrigerator door.
- NOTE:** Provide additional support for the refrigerator door while the hinges are being moved. Do not depend on the door gasket magnets to hold the door in place while you are working.
2. Assemble the parts for the top hinge as shown in the Top Hinge Graphic. Do not tighten screws completely.
 3. Line up the door so that the bottom of the refrigerator door aligns evenly with the top of the freezer drawer. Tighten all screws.

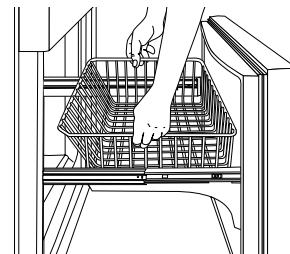
Freezer Drawer

Graphics are included later in this section.

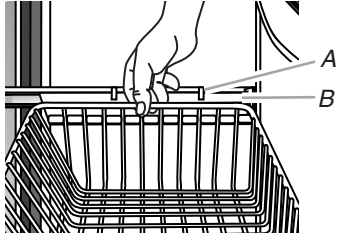
Remove Drawer

IMPORTANT: Two people may be required to complete this procedure.

1. Open the freezer drawer to full extension.
2. Remove all articles from baskets.
3. Pull the upper wire basket out to full extension and lift out to remove.
4. Lift lower basket straight up and out to remove.



- Remove the basket cradles from the drawer rails. Push the snap attachments inward away from the drawer rails to unlatch the basket cradles. Lift the basket cradles off of the drawer rails.



A. Cradle snap attachment
B. Basket cradle

- Lift the top of the freezer drawer front to disengage drawer rail hooks from drawer rails. Lift drawer out.

Replace Drawer

IMPORTANT: Two people may be required to complete this procedure.

- Pull both drawer rails out to full extension.
- Locate the notches on the inside of each drawer rail. See Graphic 6-1.
- While supporting the drawer front, hook the drawer supports into the notches on the inside of the drawer rails. Lower the drawer front into its final position. See Graphic 6-2.
- Place the basket cradles back on the drawer rails. Align the snap attachments with the slots on the drawer rails, and press each snap toward the rail until it clicks.
- With drawer rails pulled out to full extension, set the lower basket straight down into the basket cradles.
- Slide the upper basket into the molded drawer rail. Make sure the rear of the basket hooks behind the drawer rail stop.

Final Steps

- Check all holes to make sure that hole plugs and screws are in place. Reinstall top hinge cover. See Top Hinge Graphic.

⚠ WARNING



Electrical Shock Hazard

Plug into a grounded 3 prong outlet.

Do not remove ground prong.

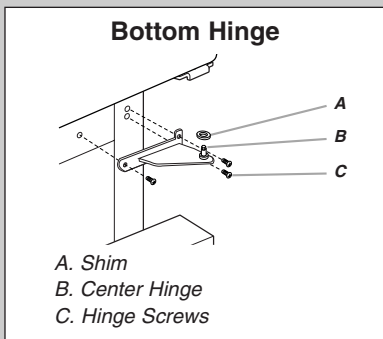
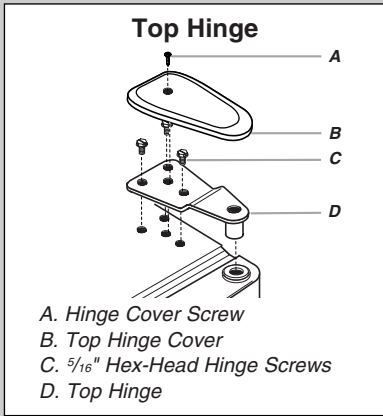
Do not use an adapter.

Do not use an extension cord.

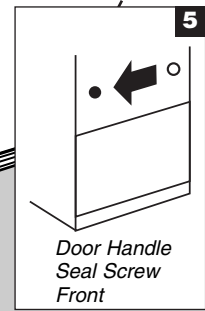
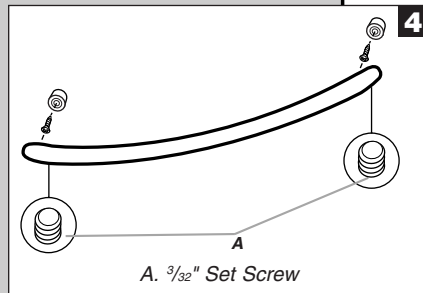
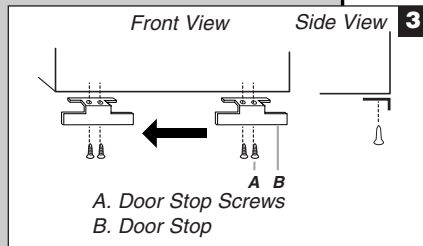
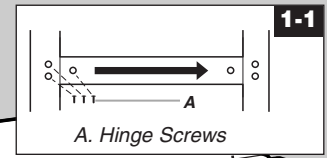
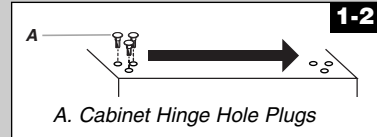
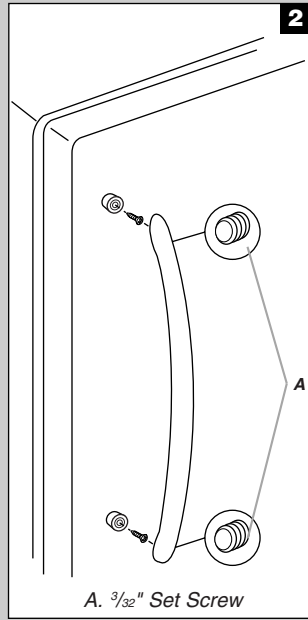
Failure to follow these instructions can result in death, fire, or electrical shock.

- Plug in refrigerator or reconnect power.
- Return all removable door parts to doors and food to refrigerator.

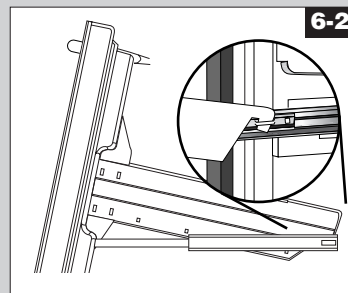
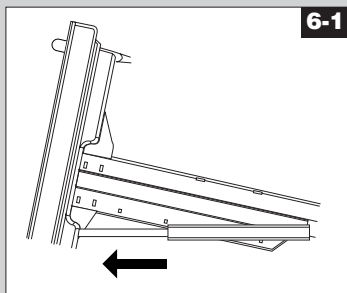
Door Removal & Replacement



Door Swing Reversal (optional)

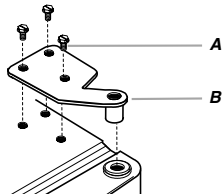


Drawer Removal & Replacement



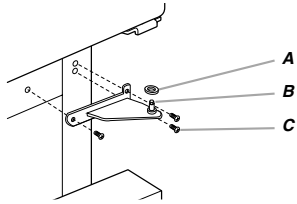
Door Removal & Replacement

Top Hinge



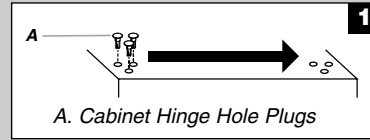
- A. 5/16" Hex-Head Hinge Screws
- B. Top Hinge

Bottom Hinge

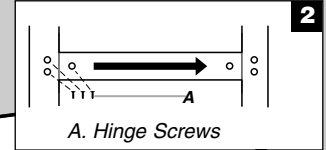


- A. Shim
- B. Center Hinge
- C. Hinge Screws

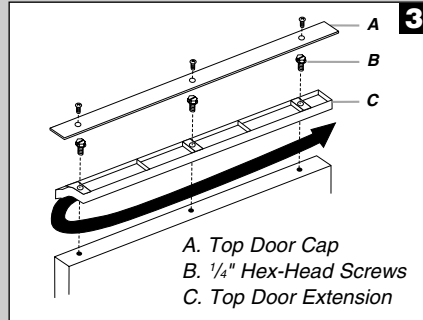
Door Swing Reversal (optional)



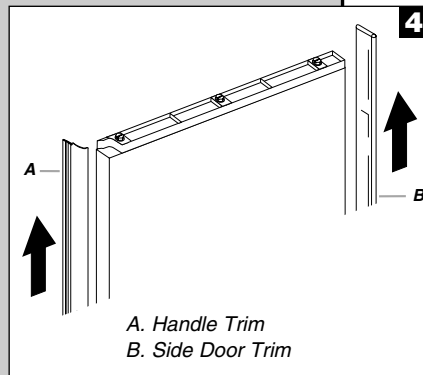
- A. Cabinet Hinge Hole Plugs



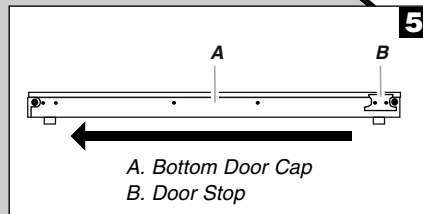
- A. Hinge Screws



- A. Top Door Cap
- B. 1/4" Hex-Head Screws
- C. Top Door Extension

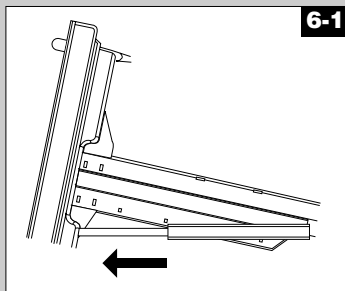


- A. Handle Trim
- B. Side Door Trim

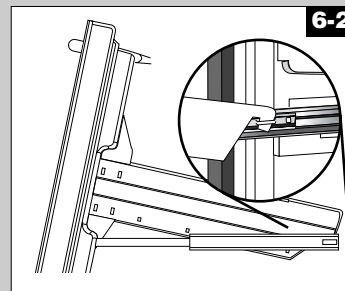


- A. Bottom Door Cap
- B. Door Stop

Drawer Removal & Replacement



6-1



6-2

Adjust the Door

Depending on your model, your refrigerator may have two (**Style 1**) or four (**Style 2**) adjustable rollers located at the base of the refrigerator. If your refrigerator seems unsteady or you want the door to close easier, adjust the refrigerator's tilt using the instructions below.

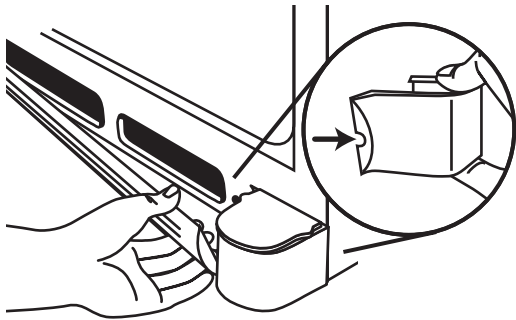
! WARNING

Excessive Weight Hazard

Use two or more people to move and install refrigerator.

Failure to do so can result in back or other injury.

1. Move the refrigerator into its final location.
2. Remove the base grille. Grasp the grille firmly and pull it toward you.
3. Remove the bracket covers. Insert the eraser end of a pencil in the cover notch. Apply slight downward pressure to the notched side of the cover while swinging it off.



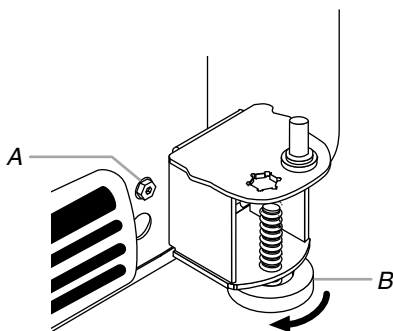
4. Using a screwdriver or 3/8" hex driver, turn the roller adjustment screw(s) on each side to raise or lower that side of the refrigerator.

NOTE: Having someone push against the top of the refrigerator takes some weight off the adjustment screws and rollers. This makes it easier to turn the screws.

- To raise, turn the roller adjustment screw to the right.
- To lower, turn the roller adjustment screw to the left.

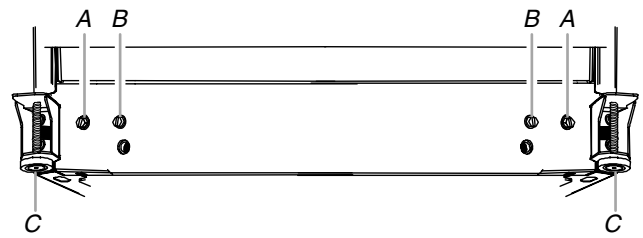
NOTE: It may take several turns of the roller adjustment screw to adjust the tilt of the refrigerator.

Style 1 - Front leveling



A. Roller adjustment screw
B. Stabilizing foot

Style 2 - Front and rear leveling



A. Front adjustment screw
B. Rear adjustment screw
C. Stabilizing foot

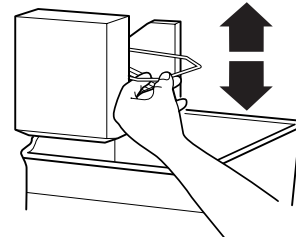
5. Open the door again to make sure that it closes as easily as you like. If not, tilt the refrigerator slightly more to the rear by turning both front adjustment screws to the right. It may take several more turns, and you should turn both adjustment screws the same amount.
6. Lower the stabilizing foot by turning it clockwise until it is firmly against floor.
7. Turn the front adjustment screws counterclockwise to allow the full weight of the refrigerator to rest on the stabilizing feet.
8. Replace the bracket covers. Place each bracket cover into the outer edge, swing the cover toward the cabinet and snap it into place.
9. Replace the base grille.

Water System Preparation

Please read before using the water system.

Immediately after installation, follow the steps below to make sure that the water system is properly flushed.

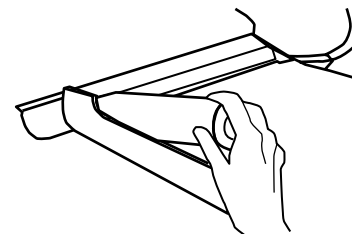
1. Turn off the ice maker by opening the freezer door and lifting up the wire shutoff arm as shown.



2. Install the interior water filter. The interior water filter mounting bracket is located on the left side wall of the refrigerator compartment.

NOTE: Do not use with water that is microbiologically unsafe or of unknown quality without adequate disinfection before or after the system. Systems certified for cyst reduction may be used on disinfected waters that may contain filterable cysts.

- Remove blue bypass cap and retain for later use.
- Carefully remove the interior water filter from its packaging. Remove the sealing label from the end of the filter and insert it into the filter head.
- Gently rotate the filter clockwise until it stops. Then snap the filter cover closed.

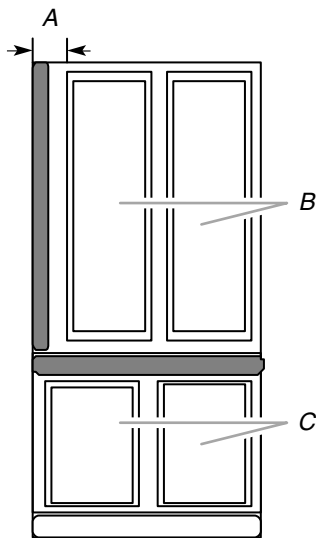


3. Flush the water system by dispensing and discarding 2 to 3 gal. (8 to 12 L) of water. Flushing the system will take approximately 6 to 7 minutes and will help clear air from the line. Additional flushing may be required in some households.

NOTE: As air is cleared from the system, water may spurt out of the dispenser.
4. Inspect the filter system for water leaks. If you see water leaks, see the “Troubleshooting” section.
5. Turn on the ice maker by opening the freezer door and lowering the wire shutoff arm as shown. Please refer to the “Ice Maker” section for further instructions on the operation of your ice maker.
 - Allow 24 hours to produce the first batch of ice.
 - Discard the first three batches of ice produced.

Factory Trim Kit (on some models)

There may be an occasion when you will need to remove the factory-installed trim kit, such as moving the refrigerator to a new home or installing custom-made decorator panels. Please read all instructions carefully before removing the trim kit and decorator panels.



A. 2½" (6.35 cm) Clearance
B. Raised decorator panel
C. Raised drawer panel

Remove the Door Panel

IMPORTANT:

- Door must be removed from refrigerator before removing handle.
 - Top trim must be removed from refrigerator before removing door panel.
1. Remove the refrigerator handle:
 - Using a Phillips screwdriver, remove the top door cap.
 - Tap the bottom edge of refrigerator door handle upward with a rubber mallet.
 - The handle will slide up approximately ¾" (19.05 mm) and release from door.
 2. Remove the door panel:
 - Slide out decorator panel and filler board.
 - Store panel and filler board carefully to prevent scratching.

Replace the Door Panel

1. Replace the refrigerator door panel:
 - Carefully slide the ¼" (6.35 mm), maximum thickness, decorator panel in grooves provided by bottom door cap and side trim.
 - Slide the filler board into place behind the decorator panel, if necessary.
2. Attach the handle and trim.
3. Reinstall the refrigerator door.

Remove and Replace Freezer Drawer Panel

NOTE: You do not need to remove the freezer drawer to remove or replace the decorator panel.

1. Pull the freezer drawer out to access the handle screws.
2. Using a Phillips screwdriver, remove the handle screws and lift off the handle.
3. Slide the decorator panel and filler board up through handle opening.
4. Replace the decorator panels by reversing directions.

Care of Decorator Panels

1. Clean panels with stainless steel cleaner and polish or mild soap and water with a clean, soft, damp cloth.
2. Rinse panels thoroughly and blot dry using a dry, soft cloth or chamois.

NOTE: Do not use paper towels or cleaners which contain solvents such as ammonia. They can damage the surface of the panels.

Install Custom Wood Panels

If you plan to install custom wood decorator panels, you will need to create the panels yourself or consult your cabinetmaker or carpenter. See dimensional drawings for wood panel inserts.

Flat Panels:

You can create a custom flat panel a maximum of ¼" (6.35 mm) thick to replace your decorator panels. Flat wood panels less than ¼" (6.35 mm) thick are not recommended.

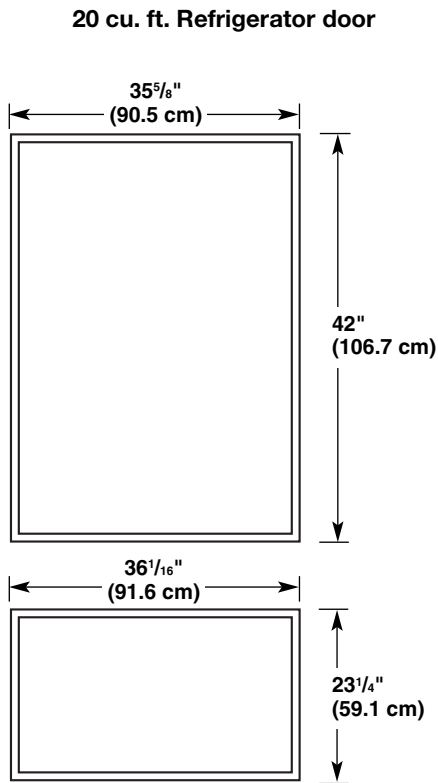
Raised Panels:

A raised panel design can be created by screwing or gluing wood panels to ¼" (6.35 mm) backing or by using ¾" (19.05 mm) stock with routed edges. Allow 2½" (6.35 cm) minimum clearance between raised edge of panel and handle.

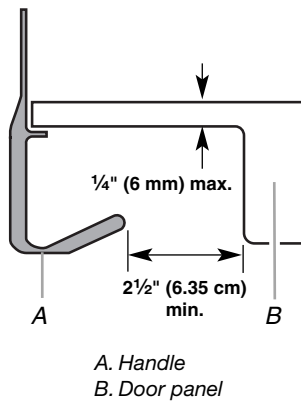
Weight requirements for raised panel inserts:

- Refrigerator door panel should not exceed 30 lbs (14 kg).
- Freezer drawer panels should not exceed 15 lbs (7 kg) combined weight.

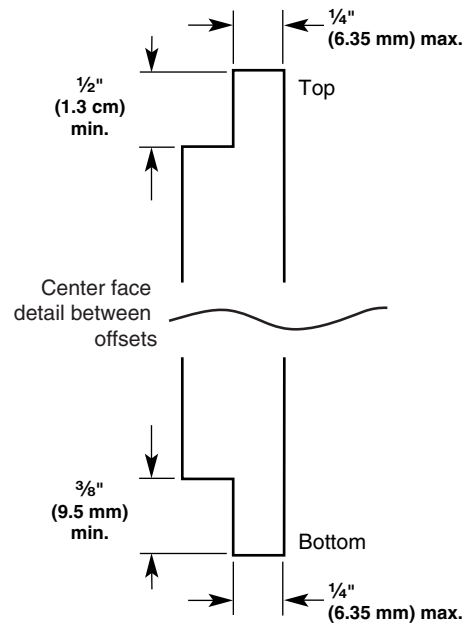
Dimensions for Custom Wood Panels



Dimensions for Routing Handle Side of Raised Door Panels (End View)



Dimensions for Routing Door Panel (Side View)



Normal Sounds

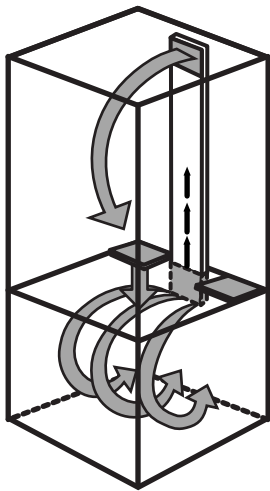
Your new refrigerator may make sounds that your old one didn't make. Because the sounds are new to you, you might be concerned about them. Most of the new sounds are normal. Hard surfaces, such as the floor, walls, and cabinets, can make the sounds seem louder. The following describes the kinds of sounds and what may be making them.

- If your refrigerator is equipped with an ice maker, you will hear a buzzing sound when the water valve opens to fill the ice maker for each cycle.
- Your refrigerator is designed to run more efficiently, to keep your food items at the desired temperatures and to minimize energy usage. The high efficiency compressor and fans may cause your refrigerator to run longer than your old one. You may also hear a pulsating or high-pitched sound from the compressor or fans adjusting to optimize performance.
- You may hear the evaporator fan motor circulating air through the refrigerator and freezer compartments. The fan speed may increase as you open the doors or add warm food.
- Rattling noises may come from the flow of refrigerant, the water line, or items stored on top of the refrigerator.
- Water dripping on the defrost heater during a defrost cycle may cause a sizzling sound.
- As each cycle ends, you may hear a gurgling sound due to the refrigerant flowing in your refrigerator.
- Contraction and expansion of the inside walls may cause a popping noise.
- You may hear air being forced over the condenser by the condenser fan.
- You may hear water running into the drain pan during the defrost cycle.

REFRIGERATOR USE

Ensuring Proper Air Circulation

In order to ensure proper temperatures, you need to permit airflow between the refrigerator and freezer sections. As shown in the illustration, cool air enters the freezer section through vents in the rear and top. The air flows forward through the freezer section and recirculates under the freezer floor. Cool air enters the refrigerator section through the top, flows down and across shelves to the doors and recirculates to return air vents at the bottom.



Do not block any of these vents with food packages. If the vents are blocked, airflow will be prevented and temperature and moisture problems may occur.

IMPORTANT: Because air circulates between both sections, any odors formed in one section will transfer to the other. You must thoroughly clean both sections to eliminate odors. To prevent odor transfer and drying out of food, wrap or cover foods tightly.

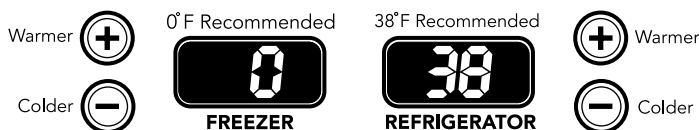
Using the Controls

The control center is located at the top front of the refrigerator compartment.

Temperature Controls

For your convenience, your temperature controls are preset at the factory. When you first install your refrigerator, make sure the controls are still set to the recommended set points as shown.

Recommended Settings



IMPORTANT:

- When the power is on, the temperature display shows the actual temperature of the compartment.
- Wait 24 hours for your refrigerator to cool completely before adding food. If you add food before the refrigerator has cooled completely, your food may spoil.

NOTE: Adjusting the refrigerator and freezer temperature controls to a colder than recommended setting will not cool the compartments any faster.

- The recommended settings should be correct for normal household refrigerator use. The controls are set correctly when milk or juice is as cold as you like and when ice cream is firm.
- If the temperature is too warm or too cold in the refrigerator or freezer, first check the air vents to be sure they are not blocked before adjusting the controls. See "Ensuring Proper Air Circulation."

To Turn Your Refrigerator Off/On:

- Press the freezer (+) touch pad repeatedly until "OFF" appears in the freezer display. Allow a few seconds for the refrigerator to shut off. Neither compartment will cool.
- Press either the refrigerator or freezer (-) touch pad to turn on the refrigerator.

Adjusting Controls

The REFRIGERATOR control adjusts the refrigerator compartment temperature. The FREEZER control adjusts the freezer compartment temperature.

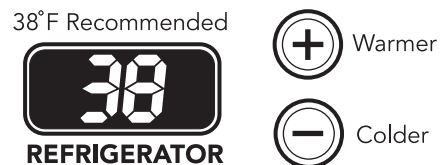
If you need to adjust the temperature in either the refrigerator or freezer compartment, use the settings listed in the chart as a guide.

To Adjust Set Point Temperatures:

The first touch of the (+) or (-) touch pad displays the current temperature set point. The display will show the set point for approximately 3 seconds, and then return to the actual temperature.

- Press the (+) or (-) touch pads until the desired temperature set point is displayed.

NOTE: Except when first turning on the refrigerator, do not adjust either temperature control more than one setting at a time. Wait 24 hours for the temperature to stabilize between adjustments.



CONDITION/REASON:	ADJUSTMENT:
REFRIGERATOR too warm - Door opened often, large amount of food added or room temperature very warm	Adjust REFRIGERATOR TEMPERATURE Control 1° lower
FREEZER too warm/ice not made fast enough - Door opened often, or large amount of food added or very cold room temperature (can't cycle often enough) - Heavy ice usage	Adjust FREEZER TEMPERATURE Control 1° lower

CONDITION/REASON:	ADJUSTMENT:
REFRIGERATOR too cold - Controls not set correctly for your conditions	Adjust REFRIGERATOR TEMPERATURE Control 1° higher
FREEZER too cold - Controls not set correctly for your conditions	Adjust FREEZER TEMPERATURE Control 1° higher

Additional Control Center Features

Max Cool

The max cool feature assists with periods of high refrigerator use, full grocery loads, or temporarily warm room temperatures.

- Press the Max Cool touch pad to set the freezer and refrigerator to the lowest temperature settings. Press the Max Cool touch pad again to return to the normal refrigerator set point.

NOTE: The Max Cool feature will automatically shut off in approximately 12 hours.



OptimIce® Feature

The OptimIce® feature assists with temporary periods of heavy ice use by increasing ice production.

- Press the OptimIce® feature touch pad to set the freezer to the lowest temperature setting. Press the OptimIce® feature touch pad again to return to the normal freezer set point.

NOTE: The OptimIce® feature will automatically shut off in approximately 24 hours.



Holiday Mode

In Holiday Mode, the freezer will not automatically defrost as often to conserve energy.

- Press the Holiday Mode touch pad until the indicator light is lit to turn on this feature. Press the Holiday Mode touch pad again or open the refrigerator door to turn off this feature.

NOTE: The refrigerator door may be opened within 1 hour of setting Holiday Mode without turning off the feature.



Temp Alarm

The Temperature Alarm combines power outage and warm alarm features.

Power Outage

During a power outage, if the temperatures in the refrigerator and freezer compartments exceed normal operating temperatures, the highest temperature reached will be displayed.

- Press the Temp Alarm touch pad until the indicator light is lit, to turn on this feature. Press and hold Temp Alarm for 3 seconds until the indicator light goes off to turn off this feature.

Warm Alarm

An alarm will sound repeatedly if the freezer or refrigerator compartment temperatures exceed normal operating temperatures for an hour or more.

The temperature displays will alternately show the current temperatures and the highest temperatures the compartments reached when the power was out.

- Press the Temp Alarm touch pad once to stop the audible alarm and alternating temperature displays. The Temp Alarm light will continue to flash until the refrigerator temperature stabilizes.



Door Alarm

The Door Alarm feature sounds a chime every few seconds when the refrigerator door has been left open for 5 continuous minutes. The chime will sound until the door is closed or Door Alarm is turned off.

- Press the Door Alarm touch pad to turn this feature on or off. The indicator light will be lit when the Door Alarm feature is on.



Water Filter Status Lights and Filter Reset (on some models)

See "Water Filter Status Lights."

User Preferences

The control center allows you to set user preferences, if desired.

Temperature Display (F_C)

This preference allows you to change the temperature display.

F - Temperature in degrees Fahrenheit

C - Temperature in degrees Celsius

Alarm (AL)

This preference allows you to turn off the sound of all alarms.

ON - You will hear the alarm sound.

OFF - You will not hear the alarm sound.

Sabbath Mode (SAB)

IMPORTANT: This preference does not disable interior lights.

ON - All control panel lights will be disabled.

OFF - All control panel lights will be enabled.

NOTE: Press any touch pad on the control panel to restore the control panel lights.

To Access the User Preferences Menu:

1. Press and hold the Door Alarm touch pad for 3 seconds. The preference name will appear in the Freezer display and the preference status (F or C) or (ON or OFF) will appear in the Refrigerator display.
2. Use the Freezer (+) or (-) touch pads to scroll through the preference names. When the desired preference name is displayed, press the Refrigerator (+) or (-) touch pads to change the preference status.
3. Set your preferences by pressing and holding the Door Alarm touch pad for 3 seconds, or by shutting the refrigerator compartment door.

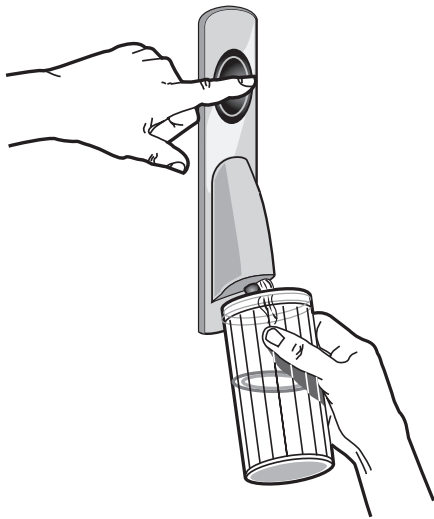
Water Dispenser (on some models)

If you did not flush the water system when the refrigerator was first installed, dispense water into a container until you draw and discard 2 to 3 gal. (8 to 12 L) or for approximately 6 to 7 minutes after the water begins dispensing. The water you draw and discard rinses the pipes. Allow several hours for the refrigerator to cool down and chill water.

Dispensing Water

1. Hold a container under the dispenser while pressing the button.
2. Release the button to stop dispensing.

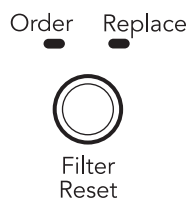
NOTE: Dispense enough water every week to maintain a fresh supply.



Water Filter Status Light (on some models)

The water filter status light will help you know when to change the water filter. When the yellow (Order) light is on, it is almost time to change the water filter. When the red (Replace) light is on, a new water filter should be installed. See “Water Filtration System.”

After replacing the water filter, press and hold FILTER RESET for 3 seconds until the Order or Replace light turns off.



Water Filtration System

NOTE: Do not use with water that is microbiologically unsafe or of unknown quality without adequate disinfection before or after the system. Systems certified for cyst reduction may be used on disinfected waters that may contain filterable cysts.

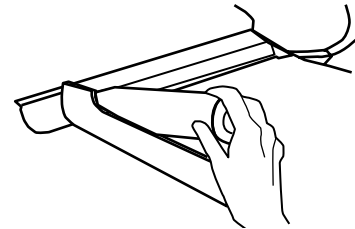
IMPORTANT:

- The water filter should be replaced when the status light is red (Replace) or earlier if the flow of water to your water dispenser or ice maker decreases noticeably.
- Air trapped in the system may cause water and the water filter to eject. Dispense water for 2 minutes before removing the used water filter.

Replacing the Water Filter

The water filter mounting bracket is located on the right side of the refrigerator compartment.

1. Turn the used water filter counterclockwise until it releases from the filter mounting bracket.
2. Drain water from the water filter into the sink, and discard the used water filter. Wipe up the excess water in the filter cover.
3. Remove the sealing label from the end of the new water filter and insert the water filter into the filter mounting bracket. Gently rotate the water filter clockwise until it stops, and snap the filter cover closed.



4. Flush the water system by dispensing and discarding 2 to 3 gal. (8 to 12 L) of water. Cleaning the system will take approximately 6 to 7 minutes and will help clear air from the line. Additional flushing may be required in some households.
5. Inspect the water filter system for leaks. If you see water leaks, see “Troubleshooting.”

Using the Dispenser Without a Water Filter

You can use the water dispenser without a water filter, but your water will not be filtered. If you choose this option, replace the water filter with the blue bypass cap.

Ice Maker

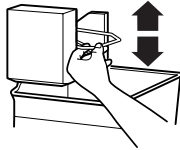
Turning the Ice Maker On/Off

NOTE: Do not force the wire shutoff arm up or down.

- To turn the ice maker on, simply lower the wire shutoff arm.

NOTE: Your ice maker has an automatic shutoff. As ice is made, the ice cubes will fill the ice storage bin and the ice cubes will raise the wire shutoff arm to the OFF (arm up) position.

- To manually turn the ice maker off, lift the wire shutoff arm to the OFF (arm up) position and listen for the click to make sure the ice maker will not continue to operate.



Ice Production Rate

- **Normal Ice Production:** The ice maker should produce a complete batch of ice every 3 hours. If ice is not being made fast enough, adjust the Freezer Control to a lower (colder) number in steps. Wait 24 hours. If necessary, gradually adjust the Freezer Control to the lowest setting, waiting 24 hours between each adjustment.
- **OptimIce Production (on some models):** The ice maker should produce approximately 16 to 20 batches of ice in a 24-hour period. If your refrigerator has the OptimIce production feature, press the OptimIce touchpad.

Remember

- Allow 24 hours to produce the first batch of ice. Discard the first three batches of ice produced.
- The quality of your ice will be only as good as the quality of the water supplied to your ice maker. Avoid connecting the ice maker to a softened water supply. Water softener chemicals (such as salt) can damage parts of the ice maker and lead to poor quality ice. If a softened water supply cannot be avoided, make sure the water softener is operating properly and is well maintained.
- Do not store anything on top of the ice maker or in the ice storage bin.

REFRIGERATOR FEATURES

Your model may have some or all of these features.

Important information to know about glass shelves and covers:

Do not clean glass shelves or covers with warm water when they are cold. Shelves and covers may break if exposed to sudden temperature changes or impact, such as bumping. For your protection, tempered glass is designed to shatter into many small, pebble-size pieces. This is normal. Glass shelves and covers are heavy. Use special care when removing them to avoid impact from dropping.

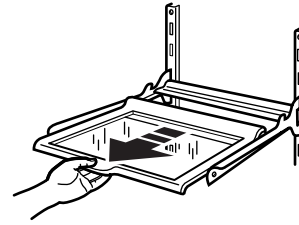
Refrigerator Shelves

The shelves in your refrigerator are adjustable to meet your individual storage needs.

Storing similar food items together in your refrigerator and adjusting the shelves to fit different heights of items will make finding the exact item you want easier. It will also reduce the amount of time the refrigerator door is open, and save energy.

Slide-out Shelves

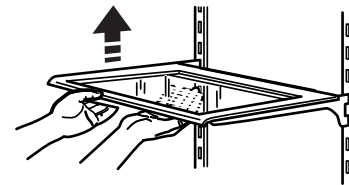
- To slide out shelf, gently pull front of shelf toward you.
- To slide in shelf, push shelf in until it stops.



Shelves and Shelf Frames

To Remove and Replace a Shelf/Shelf Frame:

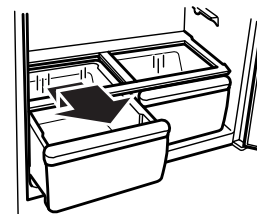
1. Remove the shelf/frame by tilting it up at the front and lifting it out of the shelf supports.
2. Replace the shelf/frame by guiding the rear shelf hooks into the shelf supports. Tilt the front of the shelf up until rear shelf hooks drop into the shelf supports.
3. Lower the front of the shelf and check to make sure that the shelf is securely in position.



Crisper and Crisper Cover

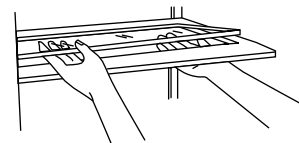
To Remove and Replace the Crisper(s):

1. Slide crisper(s) straight out to the stop. Lift the front of the crisper(s) and slide out the rest of the way.
2. Replace the crisper(s) by sliding back in fully past the drawer stop.



To Remove the Crisper(s) Cover:

1. Remove crisper(s).
2. Holding the glass insert firmly with one hand, press up in center of glass insert until it rises above the plastic frame. Gently, slide the glass insert forward to remove.
3. Lift the cover frame up and remove it.



To Replace Crisper(s) Cover:

NOTE: Before reinstalling the cover, make sure the U-shaped reinforcement bar is reinstalled in the front edge of the crisper cover.

1. Fit back of cover frame into supports on side walls of the refrigerator and lower the front of the cover frame into place.
2. Slide rear of glass insert into cover frame and lower front into place.

Crisper Humidity Control

You can control the amount of humidity in the moisture-sealed crisper. Adjust the control to any setting between LOW and HIGH.

LOW (open) lets moist air out of the crisper for best storage of fruits and vegetables with skins.

- Fruit: Wash, let dry and store in refrigerator in plastic bag or crisper. Do not wash or hull berries until they are ready to use. Sort and keep berries in original container in crisper, or store in a loosely closed paper bag on a refrigerator shelf.
- Vegetables with skins: Place in plastic bags or plastic container and store in crisper.

HIGH (closed) keeps moist air in the crisper for best storage of fresh, leafy vegetables.

- Leafy vegetables: Wash in cold water, drain and trim or tear off bruised and discolored areas. Place in plastic bag or plastic container and store in crisper.



Temperature-Controlled Drawer

The full-width, temperature-controlled drawer can be used to store large party trays, deli items, or beverages. For storage flexibility the drawer features a divider and an adjustable temperature control.

NOTE: Do not place leafy vegetables in the temperature-controlled drawer. Colder temperatures could damage leafy produce.

Drawer Removal and Replacement

Depending on your model, your refrigerator may have one of two drawer styles. Follow the instructions for the appropriate drawer style.

Style 1 - Flat-lid Drawer

To remove the drawer:

1. Pull the drawer out to its full extension.
2. Tilt up the front of the drawer and pull it straight out.

To replace the drawer:

1. Push the metal glide rails to the rear of the refrigerator.
2. Place the drawer onto the glide rails and slide the drawer toward the rear of the refrigerator.

Style 2 - Lift-up-lid Drawer

To remove the drawer:

1. Lift the lid. Pull the drawer out to its full extension.
2. Tilt up the front of the drawer and pull it straight out.

To replace the drawer:

1. Push the metal glide rails to the rear of the refrigerator.
2. Place the drawer onto the glide rails and slide the drawer toward the rear of the refrigerator.

Drawer Divider

To Remove the Divider:

1. Pull the drawer out to its full extension.
2. Lift the front of the divider to unhook it from the rear wall of the drawer and lift the divider out.

To Replace the Divider:

1. Hook the back of the divider over the rear wall of the drawer.
2. Lower the divider into place.

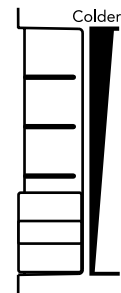
Drawer Temperature Control

The temperature control, located under the lid on the right-hand side of the drawer, regulates the amount of cold air coming into the drawer.

NOTE: Cold air directed into the drawer can decrease the refrigerator temperature. The refrigerator temperature may need to be adjusted.

- Slide the temperature control to the least cold setting if you want the drawer to be the same temperature as the refrigerator compartment.
- Slide the temperature control to a colder setting when you want the drawer to be colder than the refrigerator compartment.

NOTE: Use the coldest setting when storing meats.



Meat Storage Guide

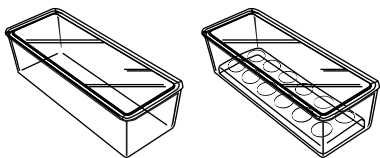
Store most meat in original wrapping as long as it is airtight and moisture-proof. Rewrap if necessary. See the following chart for storage times. When storing meat longer than the times given, freeze the meat.

Fresh fish or shellfish.....use same day as purchased
Chicken, ground beef, variety meats (liver) 1-2 days
Cold cuts, steaks/roasts 3-5 days
Cured meats 7-10 days
Leftovers - Cover leftovers with plastic wrap, aluminum foil, or plastic containers with tight lids.

Utility or Egg Bin

Depending on your model, you may have a one, two or three piece bin. Eggs may be stored in the egg tray or loose in the bin.

NOTE: Store eggs in a covered container for long-term storage. If your model does not have an egg storage bin, store eggs in their original carton on an interior shelf.



FREEZER FEATURES

Your model may have some or all of these features.

Freezer Baskets

To Remove and Replace Wire Baskets:

Upper basket

1. Remove all items from basket. Remove basket by pulling basket out to its full extension and lift out.
2. Replace basket by sliding into upper molded railing. Make sure that rear of basket hooks behind rail catch.

Upper basket divider

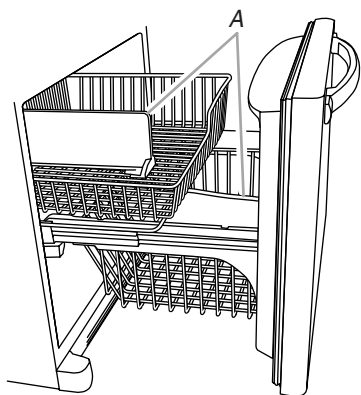
- The upper basket divider separates ice making from frozen food storage and it prevents ice from falling behind the basket assemblies.
- The upper basket divider is designed to be non-removable and should remain in the basket.

Lower basket

1. Remove all items from basket. Remove the basket by lifting it from the rail guides.
2. Replace the basket by placing into rail guides.

Lower basket divider

The lower basket divider is designed to be non-removable and it should remain in the basket.



A. Divider

DOOR FEATURES

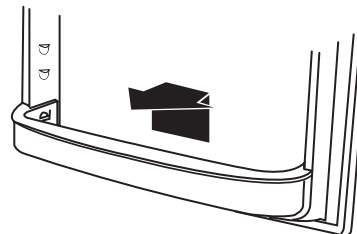
Your model may have some or all of these features.

Door Retainer

(on some models)

To Remove and Replace the Door Retainer:

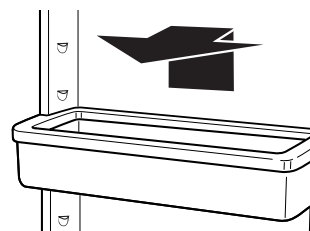
1. Remove the retainer by lifting it up and pulling it straight out.
2. Replace the retainer by sliding it in above the support and pushing it down until it stops.



Door Bins

To Remove and Replace the Bins:

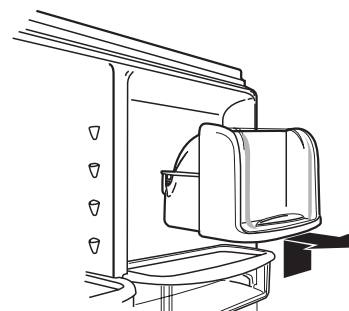
1. Remove the bin by lifting it up and pulling it straight out.
2. Replace the bin by sliding it in above the desired support and pushing it down until it stops.



Utility Compartment

To Remove and Replace the Utility Compartment:

1. Remove the utility compartment by lifting it up and pulling it straight out.
2. Replace the utility compartment by sliding it in above the desired support and pushing it down until it stops.



REFRIGERATOR CARE

Cleaning

⚠ WARNING



Explosion Hazard

Use nonflammable cleaner.

Failure to do so can result in death, explosion, or fire.

Both the refrigerator and freezer sections defrost automatically. However, clean both sections about once a month to prevent odors from building up. Wipe up spills immediately.

To Clean Your Refrigerator:

1. Unplug refrigerator or disconnect power.
2. Remove all removable parts from inside, such as shelves, crispers, etc.
3. Hand wash, rinse, and dry removable parts and interior surfaces thoroughly. Use a clean sponge or soft cloth and a mild detergent in warm water.
 - Do not use abrasive or harsh cleaners such as window sprays, scouring cleansers, flammable fluids, cleaning waxes, concentrated detergents, bleaches or cleansers containing petroleum products on plastic parts, interior and door liners or gaskets. Do not use paper towels, scouring pads, or other harsh cleaning tools. These can scratch or damage materials.
 - To help remove odors, you can wash interior walls with a mixture of warm water and baking soda (2 tbs to 1 qt [26 g to 0.95 L] of water).
4. Determine whether your refrigerator exterior is painted metal, brushed aluminum or stainless steel and choose the appropriate cleaning method.

Painted metal: Wash exteriors with a clean sponge or soft cloth and a mild detergent in warm water. Do not use abrasive or harsh cleaners, or cleaners designed for stainless steel. Dry thoroughly with a soft cloth. For additional protection against damage to painted metal exteriors, apply appliance wax (or auto paste wax) with a clean, soft cloth. Do not wax plastic parts.

Brushed aluminum: Wash with a clean sponge or soft cloth and a mild detergent in warm water. Do not use abrasive or harsh cleaners, or cleaners designed for stainless steel. Dry thoroughly with a soft cloth.

Stainless steel finish: Wash with a clean sponge or soft cloth and a mild detergent in warm water. Do not use abrasive or harsh cleaners. Dry thoroughly with a soft cloth.

- To keep your stainless steel refrigerator looking like new and to remove minor scuffs or marks, it is suggested that you use the manufacturer's approved Stainless Steel Cleaner & Polish. To order the cleaner, see the "Accessories" section.

IMPORTANT: This cleaner is for stainless steel parts only!

Do not allow the Stainless Steel Cleaner & Polish to come into contact with any plastic parts such as the trim pieces, dispenser covers or door gaskets. If accidental contact does occur, clean plastic part with a sponge and mild detergent in warm water. Dry thoroughly with a soft cloth.

5. There is no need for routine condenser cleaning in normal home operating environments. If the environment is particularly greasy or dusty, or there is significant pet traffic in the home, the condenser should be cleaned every 2 to 3 months to ensure maximum efficiency.

If you need to clean the condenser:

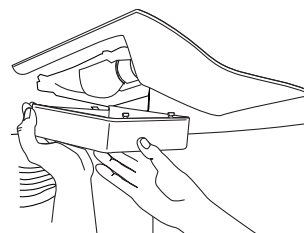
- Remove the base grille. See "Base Grille" graphic or "Base Grille" section.
 - Use a vacuum cleaner with a soft brush to clean the grille, the open areas behind the grille and the front surface area of the condenser.
 - Replace the base grille when finished.
6. Plug in refrigerator or reconnect power.

Changing the Light Bulb

NOTE: Not all appliance bulbs will fit your refrigerator. Be sure to replace the bulb with one of the same size, shape, and wattage.

Changing the Refrigerator Light Bulb

1. Unplug the refrigerator or disconnect power.
2. Slide the light bulb cover toward the back of the compartment to release it from the light assembly.



3. Replace burned-out bulb(s) with appliance light bulb(s) no greater than 40 watts.
4. Replace the light bulb cover by inserting the tabs on the cover into the liner holes on each side of light assembly. Slide the cover toward the front until it locks into place.

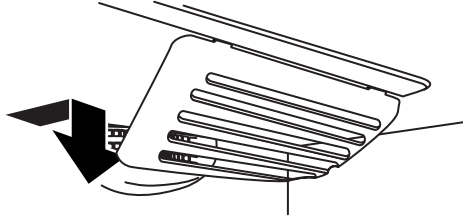
NOTE: To avoid damaging the light cover, do not force the cover beyond the locking point.
5. Plug in refrigerator or reconnect power.

Changing the Freezer Light Bulb

1. Unplug refrigerator or disconnect power.

NOTE: You may need to remove the upper freezer shelf or basket to access the light assembly.

2. The light bulb cover opens from the back. Firmly press forward on the notches in the back of the cover and pull the cover down.



3. Remove the cover and replace the burned-out bulb with an appliance bulb no greater than 40 watts.
4. Insert the front tabs of the cover into the liner and snap the back portion of the cover over the light assembly.
5. Plug in refrigerator or reconnect power.

Power Interruptions

If the power will be out for 24 hours or less, keep the door or doors closed (depending on your model) to help food stay cold and frozen.

If the power will be out for more than 24 hours, do one of the following:

- Remove all frozen food and store it in a frozen food locker.
- Place 2 lbs (907 g) of dry ice in the freezer for every cubic foot (28 L) of freezer space. This will keep the food frozen for 2 to 4 days.
- If neither a food locker nor dry ice is available, consume or can perishable food at once.

REMEMBER: A full freezer stays cold longer than a partially filled one. A freezer full of meat stays cold longer than a freezer full of baked goods. If you see that food contains ice crystals, it may be refrozen, although the quality and flavor may be affected. If the condition of the food is poor, dispose of it.

Vacation and Moving Care

Vacations

If You Choose to Leave the Refrigerator On While You're Away:

1. Use up any perishables and freeze other items.
2. If your refrigerator has an automatic ice maker:
 - Raise wire shutoff arm to OFF (up) position.
 - Shut off water supply to the ice maker.
3. Empty the ice bin.

If You Choose to Turn the Refrigerator Off Before You Leave:

1. Remove all food from the refrigerator.
2. If your refrigerator has an automatic ice maker:
 - Turn off the water supply to the ice maker at least one day ahead of time.
 - When the last load of ice drops, raise the wire shutoff arm to the OFF (up) position.
3. Turn the Temperature controls off. See "Using the Controls."
4. Clean refrigerator, wipe it, and dry well.
5. Tape rubber or wood blocks to the tops of both doors to prop them open far enough for air to get in. This stops odor and mold from building up.

Moving

When you are moving your refrigerator to a new home, follow these steps to prepare it for the move.

1. If your refrigerator has an automatic ice maker:
 - Turn off the water supply to the ice maker at least one day ahead of time.
 - Disconnect the water line from the back of the refrigerator.
 - When the last load of ice drops, raise the wire shutoff arm to the OFF (up) position.
2. Remove all food from the refrigerator and pack all frozen food in dry ice.
3. Empty the ice bin.
4. Turn the Temperature controls off. See "Using the Controls."
5. Unplug refrigerator.
6. Clean, wipe, and dry thoroughly.
7. Take out all removable parts, wrap them well, and tape them together so they don't shift and rattle during the move.
8. Depending on the model, raise the front of the refrigerator so it rolls more easily OR screw in the leveling legs so they don't scrape the floor. See "Adjust the Doors."
9. Tape the doors closed and tape the power cord to the back of the refrigerator.

When you get to your new home, put everything back and refer to the "Installation Instructions" section for preparation instructions. Also, if your refrigerator has an automatic ice maker, remember to reconnect the water supply to the refrigerator.

TROUBLESHOOTING

Try the solutions suggested here first in order to avoid the cost of an unnecessary service call.

Your refrigerator will not operate

- **Is the power cord unplugged?** Plug into a grounded 3 prong outlet.
- **Has a household fuse blown, or has a circuit breaker tripped?** Replace the fuse or reset the circuit breaker. If the problem continues, call an electrician.
- **Is the Refrigerator Control turned to the OFF position?** See “Using the Control(s),” depending on the model.
- **Is the refrigerator defrosting?** Recheck to see whether the refrigerator is operating in 30 minutes. Your refrigerator will regularly run an automatic defrost cycle.

The lights do not work

- **Is the power cord unplugged?** Plug into a grounded 3 prong outlet.
- **Is a light bulb loose in the socket or burned out?** See “Changing the Light Bulb(s),” depending on the model.

There is water in the defrost drain pan

- **Is the refrigerator defrosting?** The water will evaporate. It is normal for water to drip into the defrost pan.
- **Is it more humid than normal?** When it is humid, expect that the water in the defrost pan will take longer to evaporate.

The motor seems to run too much

- **Is the room temperature hotter than normal?** The motor will run longer under warm conditions. At normal room temperatures, your motor will run about 40% to 80% of the time. Under warmer conditions, it will run even more.
- **Has a large amount of food just been added to the refrigerator?** Adding a large amount of food warms the refrigerator. The motor normally will run longer to cool the refrigerator back down.
- **Are the doors opened often?** The motor will run longer when this occurs. Conserve energy by getting all items out at one time, keeping food organized, and closing the door as soon as possible.
- **Is the control set correctly for the surrounding conditions?** See “Using the Control(s),” depending on the model.
- **Are the doors closed completely?** Close the doors firmly. If they do not close completely, see “The doors will not close completely” later in this section.
- **Are the condenser coils dirty?** This prevents air transfer and makes the motor work harder. Clean the condenser coils. See “Cleaning.”

NOTE: Your new refrigerator will run longer than your old one due to its high-efficiency motor.

The refrigerator seems to make too much noise

- **The sounds may be normal for your refrigerator.** See “Normal Sounds.”

The ice maker is not producing ice or not enough ice

- **Has the ice maker just been installed?** Wait 72 hours for full ice production to begin. Once your refrigerator is cooled, the ice maker should produce 70-120 cubes every 24 hours.
- **Is the freezer temperature cold enough to produce ice?** Wait 24 hours after hookup for ice production. See “Using the Control(s),” depending on the model.
- **Is the wire shutoff arm in the OFF (arm up) position?** Lower the wire shutoff arm to the ON (arm down) position. See “Ice Maker.”
- **Is the water line shutoff valve to the refrigerator turned on?** Turn on the water valve. See “Connect the Water Supply.”
- **Does the ice maker mold have water in it or has no ice been produced?** Be sure your refrigerator has been connected to a water supply and the supply shutoff valve is turned on. See “Connect the Water Supply.”
- **Is an ice cube jammed in the ejector arm?** Remove the ice from the ejector arm with a plastic utensil. See “Ice Maker.”
- **Has a large amount of ice just been removed?** Allow 24 hours for ice maker to produce more ice.
- **Is the control set correctly?** If too little ice is produced, see “Using the Control(s),” depending on the model.
- **Is there a water filter installed on the refrigerator?** The filter may be full or incorrectly installed. Depending on your model, remove the water filter cartridge. See “Water Filtration System.” Operate the dispenser. If the water flow increases noticeably, your filter is full and needs to be replaced.
- **Is a reverse osmosis water filtration system connected to your cold water supply?** See “Water Supply Requirements.”

NOTE: If not due to any of the above, there may be a problem with the water line. Call for service.

Off-taste, odor or gray color in the ice

- **Are the plumbing connections new, causing discolored or off-flavored ice?** Discard the first few batches of ice.
- **Have the ice cubes been stored too long?** Throw old ice away and make a new supply.
- **Has food in the refrigerator been wrapped properly?** See “Refrigerator Features.”
- **Do the freezer and ice bin need to be cleaned?** See “Cleaning.”
- **Does the water contain minerals (such as sulfur)?** A filter may need to be installed to remove the minerals.
- **Is there a water filter installed on the refrigerator?** Gray or dark discoloration in ice indicates that the water filtration system needs additional flushing. Run additional water through the water dispenser to flush the water filtration system more thoroughly, at least 2 to 3 gal. (8 to 12 L) or 5 minutes initially. Discard discolored ice.

The water dispenser will not operate properly

- **Has the water system not filled?** The water system needs to be filled the first time it is used. Use a sturdy container to depress the water dispenser until water begins to flow. Dispense and discard 2 to 3 gal. (8 to 12 L) of water. This will take approximately 5 minutes and will help clear air from the line. Additional flushing may be required in some households. See “Water Dispenser.”
- **Is the water shutoff valve not turned on or the water line connected at the source?** Be sure the water shutoff valve is turned on and the water source is connected to the refrigerator. See “Connect the Water Supply.”
- **Is the water shutoff valve clogged or incorrectly installed?** See “Connect the Water Supply.” If clogging or installation is not a problem, call for service or contact a plumber.
- **Is there a kink in the home water source line?** If you find or suspect a kink in the water line, contact a licensed, qualified plumber.
- **Is there a water filter installed on the refrigerator?** The filter may be clogged or incorrectly installed. First, check the filter installation instructions to ensure that the filter was installed correctly and is not clogged. If installation or clogging is not a problem, call for service.
- **Is a reverse osmosis water filtration system connected to your cold water supply?** See “Water Supply Requirements.”

Water flow from the dispenser decreases noticeably

- **Is there a water filter installed on the refrigerator?** The filter may be full or incorrectly installed. Depending on your model, remove the water filter cartridge. See “Water Filtration System.” Operate the dispenser. If the water flow increases noticeably, your filter is full and needs to be replaced.

Water leaking from the dispenser

- **Is the glass not being held under the water dispenser long enough?** Hold the container under the water dispenser 2 to 3 seconds after releasing the dispenser lever. Water may continue to dispense during this time.
- **Is there a water filter installed on the refrigerator?** The water filtration system may have air in the lines, causing water to drip. Additional flushing may help clear air from the lines. Normal dispenser use should flush air from the lines within 24 to 72 hours.

The dispenser water is not cool enough

- **Has the refrigerator been newly installed?** Allow 24 hours for the refrigerator to cool completely.
- **Has a large amount of water been recently dispensed?** Allow 24 hours for the water to cool completely.
- **Has water not been recently dispensed?** The first glass of water may not be cool. Discard the first glass of water.

The divider between the two compartments is warm

The warmth is probably due to normal operation of the automatic exterior moisture control.

Temperature is too warm

- **Are the air vents blocked in either compartment?** This prevents cold air movement between the compartments. Move objects away from the air vents. See “Ensuring Proper Air Circulation” for air vent locations.
- **Are the door(s) opened often?** The refrigerator will warm when this occurs. Keep the refrigerator cool by getting all items out at one time, keeping food organized, and closing the door as soon as possible.
- **Has a large amount of food just been added to the refrigerator or freezer?** Adding a large amount of food warms the refrigerator. It can take several hours for the refrigerator to return to the normal temperature.
- **Are the controls set correctly for the surrounding conditions?** See “Using the Control(s),” depending on your model.

There is interior moisture buildup

- **Are the air vents blocked in the refrigerator?** Remove any objects from in front of the air vents. See “Ensuring Proper Air Circulation” for air vent locations.
- **Are the door(s) opened often?** Avoid humidity buildup by getting all items out at one time, keeping food organized, and closing the door as soon as possible.
- **Is the room humid?** It is normal for moisture to build up inside the refrigerator when the room air is humid.
- **Is the food packaged correctly?** Check that all food is securely wrapped. Wipe off damp food containers before placing them in the refrigerator.
- **Is the control set correctly for the surrounding conditions?** See “Using the Control(s),” depending on your model.
- **Was a self-defrost cycle completed?** It is normal for droplets to form after the refrigerator self-defrosts.

The doors are difficult to open

- **Are the gaskets dirty or sticky?** Clean gaskets and the surface that they touch. Rub a thin coat of paraffin wax on the gaskets following cleaning.

The doors will not close completely

- **Are food packages blocking the door open?** Rearrange containers so that they fit more tightly.
- **Is the ice bin out of position?** Push the ice bin in all the way.
- **Are the crisper cover, pans, shelves, bins, or baskets out of position?** Put these items into their correct positions. See “Refrigerator Features” for more information.
- **Are the gaskets sticking?** Clean gaskets and the surface that they touch. Rub a thin coat of paraffin wax on the gaskets following cleaning.
- **Does the refrigerator wobble or seem unstable?** Level the refrigerator. See “Adjust the Doors.”
- **Were the doors removed during product installation and not properly replaced?** Remove and replace the doors according to “Refrigerator Doors,” or call a qualified service technician.

ASSISTANCE OR SERVICE

Before calling for assistance or service, please check "Troubleshooting." It may save you the cost of a service call. If you still need help, follow the instructions below.

When calling, please know the purchase date and the complete model and serial number of your appliance. This information will help us to better respond to your request.

If You Need Replacement Parts

If you need to order replacement parts, we recommend that you only use factory specified parts. Factory specified parts will fit right and work right because they are made with the same precision used to build every new KitchenAid® appliance.

To locate factory specified parts in your area, call us or your nearest designated service center.

In the U.S.A.

Call the KitchenAid Customer eXperience Center toll free: **1-800-422-1230**.

Our consultants provide assistance with:

- Features and specifications on our full line of appliances.
- Installation information.
- Use and maintenance procedures.
- Accessory and repair parts sales.
- Specialized customer assistance (Spanish speaking, hearing impaired, limited vision, etc.).
- Referrals to local dealers, repair parts distributors, and service companies. KitchenAid designated service technicians are trained to fulfill the product warranty and provide after-warranty service, anywhere in the United States.

To locate the KitchenAid designated service company in your area, you can also look in your telephone directory Yellow Pages.

For Further Assistance

If you need further assistance, you can write to KitchenAid with any questions or concerns at:

KitchenAid Brand Home Appliances
Customer eXperience Center
553 Benson Road
Benton Harbor, MI 49022-2692

Please include a daytime phone number in your correspondence.

In Canada

Call the KitchenAid Canada Customer Interaction Centre toll free: **1-800-807-6777**.

Our consultants provide assistance with:

- Features and specifications on our full line of appliances.
- Use and maintenance procedures.
- Accessory and repair parts sales.
- Referrals to local dealers, repair parts distributors, and service companies. KitchenAid Canada designated service technicians are trained to fulfill the product warranty and provide after-warranty service, anywhere in Canada.

For Further Assistance

If you need further assistance, you can write to KitchenAid Canada with any questions or concerns at:

Customer Interaction Centre
KitchenAid Canada
1901 Minnesota Court
Mississauga, Ontario L5N 3A7

Please include a daytime phone number in your correspondence.

Accessories

To order accessories, call **1-800-442-9991** and ask for the appropriate part number listed below or contact your authorized KitchenAid dealer. In Canada, call **1-800-807-6777**.

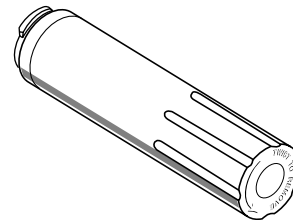
Stainless Steel Cleaner & Polish

Order Part #8171420

Replacement Water Filter:

NOTE: Do not use with water that is microbiologically unsafe or of unknown quality without adequate disinfection before or after the system. Systems certified for cyst reduction may be used on disinfected waters that may contain filterable cysts.

Order Part #4396395 (67003523)



WATER FILTER CERTIFICATIONS

State of California
Department of Health Services
Water Treatment Device
Certificate Number

03 - 1583

Date Issued: September 16, 2003
Date Revised: April 22, 2004

<u>Trademark/Model Designation</u>	<u>Replacement Elements</u>
UKF8001AXX750	UKF8001AXX
469006-750	46 9006
67003523-750	67003523

Manufacturer: PentaPure Inc.

The water treatment device(s) listed on this certificate have met the testing requirements pursuant to Section 116830 of the Health and Safety Code for the following health related contaminants:

<u>Microbiological Contaminants and Turbidity</u>	<u>Inorganic/Radiological Contaminants</u>
Cysts	Asbestos
Turbidity	Lead
	Mercury
<u>Organic Contaminants</u>	
Atrazine	
Lindane	
Benzene	
Carbofuran	
p-dichlorobenzene	
Toxaphene	

Rated Service Capacity: 750 gal. Rated Service Flow: 0.78 gpm

Conditions of Certification:

Do not use where water is microbiologically unsafe or with water of unknown quality, except that systems certified for cyst reduction may be used on disinfected waters that may contain filterable cysts.

PRODUCT DATA SHEETS

Interior Water Filtration System Model 67003523-750 Capacity 750 Gallons (2839 Liters)



Tested and certified by NSF International against NSF/ANSI Standard 42 for the reduction of Chlorine Taste and Odor, Particulate Class I*; and against NSF/ANSI Standard 53 for the reduction of Lead, Mercury, Atrazine, Toxaphene, Cysts, Turbidity, Asbestos and Lindane.

This system has been tested according to NSF/ANSI 42/53 for the reduction of the substances listed below. The concentration of the indicated substances in water entering the system was reduced to a concentration less than or equal to the permissible limit for water leaving the system, as specified in NSF/ANSI 42/53.

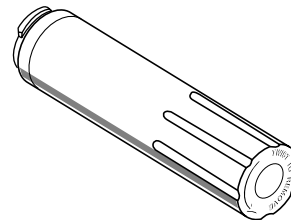
Substance Reduction	NSF Reduction Requirements	Average Influent	Influent Challenge Concentration	Maximum Effluent	Average Effluent	Minimum% Reduction	Average% Reduction
Chlorine Taste/Odor Particulate Class I*	50% reduction 85% reduction	1.88 mg/L 5,700,000 #/mL	2.0 mg/L ± 10% At least 10,000 particles/mL	0.06 mg/L 69,000 #/mL**	0.05 mg/L 30,583 #/mL	96.84 98.94	>97.26 99.52
Contaminant Reduction	NSF Reduction Requirements	Average Influent	Influent Challenge Concentration	Maximum Effluent	Average Effluent	Minimum% Reduction	Average% Reduction
Lead: @ pH 6.5 Lead: @ pH 8.5	0.010 mg/L 0.010 mg/L	0.153 mg/L [†] 0.150 mg/L [†]	0.15 mg/L ± 10% 0.15 mg/L ± 10%	< 0.001mg/L < 0.001mg/L	< 0.001mg/L < 0.001mg/L	>99.29% >99.29%	>99.35% >99.33%
Mercury: @ pH 6.5 Mercury: @ pH 8.5	0.002 mg/L 0.002 mg/L	0.006 mg/L 0.006 mg/L	0.006 mg/L ± 10% 0.006 mg/L ± 10%	0.0005 mg/L 0.0015 mg/L	0.0003 mg/L 0.0008 mg/L	90.91 75.93	95.70 86.22
Toxaphene	0.003 mg/L	0.015 mg/L	0.015 ± 10%	< 0.001mg/L	< 0.001mg/L	91.67%	92.97%
Atrazine	0.003 mg/L	0.009mg/L	0.009 mg/L ± 10%	< 0.002 mg/L	< 0.002 mg/L	75.31%	76.99%
Asbestos	99%	155 MF/L	10 ⁷ to 10 ⁸ fibers/L ^{††}	<1 MF/L	<1 MF/L	>99.99%	>99.99%
Live Cysts [‡] Turbidity	>99.95% 0.5 NTU	166,500 #/L 10.7 NTU	50,000/L min. 11 ± 1 NTU	<1 #/L [‡] 0.49 NTU	<1 #/L [‡] 0.31 NTU	>99.99 95.2	>99.99 97.09
Lindane	0.0002 mg/L	0.002 mg/L	0.002 ± 10%	< 0.0001mg/L	0.000 mg/L	96.50%	98.72%

Test Parameters: pH = 7.5 ± 0.5 unless otherwise noted. Flow = 0.78 gpm (1.9 Lpm). Pressure = 60 psig (413.7 kPa). Temp. = 68°F to 71.6°F (20°C to 22°C).

- It is essential that operational, maintenance, and filter replacement requirements be carried out for the product to perform as advertised.
- The filter monitor system measures the amount of water that passes through the filter and alerts you to replace the filter. When 90% of the filter's rated life is used, the yellow (Order) light comes on. When 100% of the filter's rated life is used, the red (Replace) light comes on, and it is recommended that you replace the filter. Use replacement cartridge 67003523, part #4396395. 2005 suggested retail price of \$49.99 U.S.A./\$65.95 Canada. Prices are subject to change without notice.
- The product is for cold water use only.
- Do not use with water that is microbiologically unsafe or of unknown quality without adequate disinfection before or after the system. Systems certified for cyst reduction may be used on disinfected waters that may contain filterable cysts.
- Refer to the back cover or "Accessories" section for the Manufacturer's name, address and telephone number.
- Refer to the "Warranty" section for the Manufacturer's limited warranty.

Application Guidelines/Water Supply Parameters

Water Supply	City or Well
Water Pressure	35 - 100 psi (241 - 689 kPa)
Water Temperature	33° - 100°F (1° - 38° C)
Service Flow Rate	0.78 gpm (2.9 L/min.) @ 60 psi.



*Class I particle size: >0.5 to <1 µm

**Test requirement is at least 100,000 particles/mL of AC Fine Test Dust.

[†]These contaminants are not necessarily in your water supply. Performance may vary based on local water conditions.

^{††}Fibers greater than 10 µm in length

[‡]Based on the use of Cryptosporidium parvum oocysts

® NSF is a registered trademark of NSF International.

KITCHENAID® REFRIGERATOR WARRANTY

ONE YEAR LIMITED WARRANTY

For one year from the date of purchase, when this major appliance is operated and maintained according to instructions attached to or furnished with the product, KitchenAid or KitchenAid Canada (hereafter "KitchenAid") will pay for factory specified parts and repair labor to correct defects in materials or workmanship. Service must be provided by a KitchenAid designated service company.

On models with a water filter: 30 day limited warranty on water filter. For 30 days from the date of purchase, when this filter is operated and maintained according to instructions attached to or furnished with the product, KitchenAid will pay for replacement parts to correct defects in materials and workmanship.

SECOND THROUGH FIFTH YEAR LIMITED WARRANTY ON CAVITY LINER AND SEALED REFRIGERATION SYSTEM PARTS

In the second through fifth years from the date of purchase, when this major appliance is operated and maintained according to instructions attached to or furnished with the product, KitchenAid will pay for replacement or repair of the refrigerator/freezer cavity liner (including labor costs) if the part cracks due to defective materials or workmanship. Also, in the second through fifth years from the date of purchase, KitchenAid will pay for factory specified parts to correct defects in materials or workmanship in the sealed refrigeration system. These parts are: compressor, evaporator, condenser, dryer, and connecting tubing. Service must be provided by a KitchenAid designated service company.

SIXTH THROUGH TENTH YEAR LIMITED WARRANTY ON SEALED REFRIGERATION SYSTEM PARTS

In the sixth through tenth years from date of purchase, when this major appliance is operated and maintained according to instructions attached to or furnished with the product, KitchenAid will pay for factory specified parts to correct defects in materials or workmanship in the sealed refrigeration system. These parts are: compressor, evaporator, condenser, dryer, and connecting tubing.

ITEMS KITCHENAID WILL NOT PAY FOR

1. Service calls to correct the installation of your major appliance, to instruct you how to use your major appliance, to replace or repair house fuses or to correct house wiring or plumbing.
 2. Service calls to repair or replace appliance light bulbs, air filters or water filters.
 3. Repairs when your major appliance is used for other than normal, single-family household use.
 4. Damage resulting from accident, alteration, misuse, abuse, fire, flood, acts of God, improper installation, installation not in accordance with electrical or plumbing codes, or use of products not approved by KitchenAid.
 5. Any food loss due to refrigerator or freezer product failures.
 6. Replacement parts or repair labor costs for units operated outside the United States or Canada.
 7. Pickup and delivery. This major appliance is designed to be repaired in the home.
 8. Repairs to parts or systems resulting from unauthorized modifications made to the appliance.
 9. Expenses for travel and transportation for product service in remote locations.
 10. The removal and reinstallation of your appliance if it is installed in an inaccessible location or is not installed in accordance with published installation instructions.
-

DISCLAIMER OF IMPLIED WARRANTIES; LIMITATION OF REMEDIES

CUSTOMER'S SOLE AND EXCLUSIVE REMEDY UNDER THIS LIMITED WARRANTY SHALL BE PRODUCT REPAIR AS PROVIDED HEREIN. IMPLIED WARRANTIES, INCLUDING WARRANTIES OF MERCHANTABILITY OR FITNESS FOR A PARTICULAR PURPOSE, ARE LIMITED TO ONE YEAR OR THE SHORTEST PERIOD ALLOWED BY LAW. KITCHENAID SHALL NOT BE LIABLE FOR INCIDENTAL OR CONSEQUENTIAL DAMAGES. SOME STATES AND PROVINCES DO NOT ALLOW THE EXCLUSION OR LIMITATION OF INCIDENTAL OR CONSEQUENTIAL DAMAGES, OR LIMITATIONS ON THE DURATION OF IMPLIED WARRANTIES OF MERCHANTABILITY OR FITNESS, SO THESE EXCLUSIONS OR LIMITATIONS MAY NOT APPLY TO YOU. THIS WARRANTY GIVES YOU SPECIFIC LEGAL RIGHTS AND YOU MAY ALSO HAVE OTHER RIGHTS, WHICH VARY FROM STATE TO STATE OR PROVINCE TO PROVINCE.

Outside the 50 United States and Canada, this warranty does not apply. Contact your authorized KitchenAid dealer to determine if another warranty applies.

If you need service, first see the "Troubleshooting" section of the Use & Care Guide. After checking "Troubleshooting," additional help can be found by checking the "Assistance or Service" section or by calling KitchenAid. In the U.S.A., call **1-800-422-1230**. In Canada, call **1-800-807-6777**.

9/05

Keep this book and your sales slip together for future reference. You must provide proof of purchase or installation date for in-warranty service.

Write down the following information about your major appliance to better help you obtain assistance or service if you ever need it. You will need to know your complete model number and serial number. You can find this information on the model and serial number label located on the product.

Dealer name _____
Address _____
Phone number _____
Model number _____
Serial number _____
Purchase date _____

SÉCURITÉ DU RÉFRIGÉRATEUR

Votre sécurité et celle des autres est très importante.

Nous donnons de nombreux messages de sécurité importants dans ce manuel et sur votre appareil ménager. Assurez-vous de toujours lire tous les messages de sécurité et de vous y conformer.



Voici le symbole d'alerte de sécurité.

Ce symbole d'alerte de sécurité vous signale les dangers potentiels de décès et de blessures graves à vous et à d'autres.

Tous les messages de sécurité suivront le symbole d'alerte de sécurité et le mot "DANGER" ou "AVERTISSEMENT". Ces mots signifient :

⚠ DANGER

Risque possible de décès ou de blessure grave si vous ne suivez pas immédiatement les instructions.

⚠ AVERTISSEMENT

Risque possible de décès ou de blessure grave si vous ne suivez pas les instructions.

Tous les messages de sécurité vous diront quel est le danger potentiel et vous disent comment réduire le risque de blessure et ce qui peut se produire en cas de non-respect des instructions.

IMPORTANTES INSTRUCTIONS DE SÉCURITÉ

AVERTISSEMENT : Pour réduire les risques d'incendie, de choc électrique ou des blessures lors de l'utilisation du réfrigérateur, prendre quelques précautions fondamentales, y compris les suivantes :

- Brancher l'appareil sur une prise à 3 alvéoles reliée à la terre.
- Ne pas enlever la broche de liaison à la terre.
- Ne pas utiliser un adaptateur.
- Ne pas utiliser un câble de rallonge.
- Utiliser deux ou plus de personnes pour déplacer et installer le réfrigérateur.
- Débrancher la source de courant électrique avant l'entretien.
- Replacer pièces et panneaux avant de faire la remise en marche.
- Utiliser un produit de nettoyage ininflammable.
- Garder les matériaux et les vapeurs inflammables, telle que l'essence, loin du réfrigérateur.
- Débrancher le réfrigérateur avant l'installation de la machine à glaçons (seulement pour modèles prêts à recevoir une machine à glaçons).
- Utiliser un verre robuste pour prendre des glaçons ou de l'eau (sur certains modèles).
- Enlever les portes de votre vieux réfrigérateur.

CONSERVEZ CES INSTRUCTIONS

Mise au rebut de votre vieux réfrigérateur

⚠ AVERTISSEMENT

Risque de suffoquer

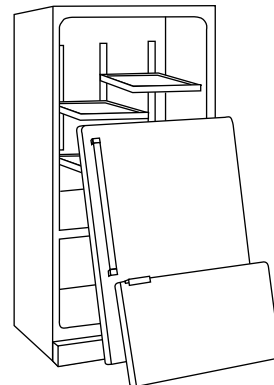
Enlever les portes de votre vieux réfrigérateur.

Le non-respect de cette instruction peut causer un décès ou des lésions cérébrales.

IMPORTANT : L'emprisonnement et l'étouffement des enfants ne sont pas un problème du passé. Les réfrigérateurs jetés ou abandonnés sont encore dangereux, même s'ils sont laissés abandonnés pendant "quelques jours seulement". Si vous vous débarrassez de votre vieux réfrigérateur, veuillez suivre les instructions suivantes pour aider à éviter les accidents.

Avant de jeter votre vieux réfrigérateur ou congélateur :

- Enlever les portes.
- Laisser les tablettes en place de sorte que les enfants ne puissent pas y pénétrer facilement.



INSTRUCTIONS D'INSTALLATION

Déballage du réfrigérateur

⚠ AVERTISSEMENT

Risque du poids excessif

Utiliser deux ou plus de personnes pour déplacer et installer le réfrigérateur.

Le non-respect de cette instruction peut causer une blessure au dos ou d'autre blessure.

Enlèvement des matériaux d'emballage

- Enlever le ruban adhésif et la colle des surfaces du réfrigérateur avant de le mettre en marche. Frotter une petite quantité de savon liquide pour la vaisselle sur l'adhésif avec les doigts. Rincer à l'eau tiède et essuyer.
- Ne pas utiliser d'instruments coupants, d'alcool à friction, de liquides inflammables ou de nettoyants abrasifs pour enlever le ruban adhésif ou la colle. Ces produits peuvent endommager la surface de votre réfrigérateur. Pour plus de renseignements, voir "Sécurité du réfrigérateur".
- Éliminer les matériaux d'emballage de la manière appropriée.

Déplacement de votre réfrigérateur :

Votre réfrigérateur est lourd. Lors du déplacement du réfrigérateur pour le nettoyage ou le service, veiller à protéger le plancher. Toujours tirer le réfrigérateur tout droit lors du déplacement. Ne pas incliner le réfrigérateur d'un côté ou de l'autre ni le "faire marcher" en essayant de le déplacer car le plancher pourrait être endommagé.

Nettoyage avant l'utilisation

Après avoir enlevé tous les matériaux d'emballage, nettoyer l'intérieur du réfrigérateur avant de l'utiliser. Voir les instructions de nettoyage dans "Entretien du réfrigérateur".

Importants renseignements à savoir au sujet des tablettes et des couvercles en verre :

Ne pas nettoyer les tablettes ou couvercles en verre avec de l'eau tiède quand ils sont froids. Les tablettes et les couvercles peuvent se briser s'ils sont exposés à des changements soudains de température ou à un impact tel que coup brusque. Pour votre protection, le verre trempé est conçu pour éclater en d'innombrables pièces minuscules. Ceci est normal. Les tablettes et les couvercles en verre sont lourds. Un soin spécial s'impose lors de leur déplacement pour éviter l'impact d'une chute.

Emplacement d'installation

⚠ AVERTISSEMENT



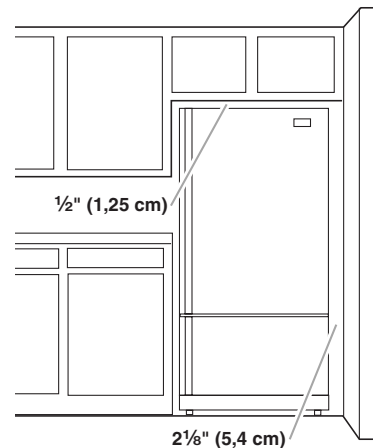
Risque d'explosion

Garder les matériaux et les vapeurs inflammables, telle que l'essence, loin du réfrigérateur.

Le non-respect de cette instruction peut causer un décès, une explosion ou un incendie.

- Votre réfrigérateur est conçu pour un usage domestique, à l'intérieur uniquement.
- Pour assurer une ventilation convenable à votre réfrigérateur, laisser un espace de 1/2" (1,25 cm) en haut et derrière le réfrigérateur.
- Si votre réfrigérateur comporte une machine à glaçons, s'assurer qu'un espace additionnel est prévu à l'arrière pour permettre les connexions des conduits d'eau.
- Si vous installez votre réfrigérateur près d'un mur fixe, laisser un minimum de 2 1/8" (5,4 cm) de chaque côté (selon le modèle) pour permettre à la porte de s'ouvrir sans obstruction.

REMARQUE : Il est recommandé de ne pas installer le réfrigérateur près d'un four, d'un radiateur ou de toute autre source de chaleur. Ne pas installer le réfrigérateur dans un endroit où la température baissera au-dessous de 55°F (13°C).



Spécifications électriques

⚠ AVERTISSEMENT



Risque de choc électrique

Brancher sur une prise à 3 alvéoles reliée à la terre.

Ne pas enlever la broche de liaison à la terre.

Ne pas utiliser un adaptateur.

Ne pas utiliser un câble de rallonge.

Le non-respect de ces instructions peut causer un décès, un incendie ou un choc électrique.

Avant de placer le réfrigérateur à son emplacement final, il est important de vous assurer d'avoir la connexion électrique appropriée.

Méthode recommandée de mise à la terre

Une source d'alimentation de 115 volts, 60 Hz, type 15 ou 20 ampères CA seulement, protégée par fusibles et adéquatement mise à la terre est nécessaire. Il est recommandé d'utiliser un circuit distinct pour alimenter uniquement votre réfrigérateur. Utiliser une prise murale qui ne peut pas être mise hors circuit à l'aide d'un commutateur. Ne pas utiliser de câble de rallonge.

REMARQUE : Avant d'exécuter tout type d'installation, nettoyage ou remplacement d'une ampoule d'éclairage, tourner la commande (du thermostat, du réfrigérateur ou du congélateur selon le modèle) à la position OFF (arrêt) et déconnecter ensuite le réfrigérateur de la source d'alimentation électrique. Lorsque vous avez terminé, reconnecter le réfrigérateur à la source d'alimentation électrique et mettre de nouveau la commande (du thermostat, du réfrigérateur ou du congélateur selon le modèle) au réglage désiré.

Spécifications de l'alimentation en eau

Lire toutes les instructions avant de commencer.

IMPORTANT :

- Si on doit utiliser le réfrigérateur avant qu'il soit raccordé à la canalisation d'eau, placer la commande de la machine à glaçons à la position OFF (arrêt).
- Toutes les installations doivent être conformes aux exigences des codes locaux de plomberie.
- Utiliser un tube en cuivre et vérifier s'il y a des fuites. Installer les tubes en cuivre seulement à des endroits où la température se maintient au-dessus du point de congélation.

OUTILLAGE REQUIS : Rassembler les outils et pièces nécessaires avant de commencer l'installation. Lire et suivre les instructions fournies avec les outils indiqués ici. Tournevis à lame plate, clés plates de 7/16" et 1/2" ou 2 clés à molette réglables, tourne-écrou et foret de 1/4", perceuse manuelle ou électrique (convenablement reliée à la terre).

REMARQUE : Votre marchand de réfrigérateurs propose une trousse disponible avec un robinet d'arrêt à étrier de 1/4" (6,35 mm), un raccord et un tube en cuivre. Avant l'achat, s'assurer que le robinet d'arrêt à étrier est conforme à vos codes locaux de plomberie. Ne pas employer de robinet d'arrêt à étrier de 3/16" (4,76 mm) ou de type à percer, ce qui réduit le débit d'eau et cause une obstruction plus facilement.

Pression de l'eau

Une alimentation en eau froide avec une pression entre 35 et 100 lb/po² (241 - 689 kPa) est nécessaire pour faire fonctionner le distributeur d'eau et la machine à glaçons. Si vous avez des questions au sujet de la pression de votre eau, appelez un plombier qualifié agréé.

Alimentation en eau par osmose inverse

IMPORTANT : La pression de l'alimentation en eau entre le système d'osmose inverse et la valve d'arrivée d'eau du réfrigérateur doit être entre 35 et 100 lb/po² (241 - 689 kPa).

Si un système de purification de l'eau par osmose inverse est raccordé à votre alimentation en eau froide, la pression de l'eau au système doit être d'un minimum de 40 à 60 lb/po² (276 - 414 kPa).

Si la pression de l'eau au système d'osmose inverse est inférieure à 40 - 60 lb/po² (276 - 414 kPa) :

- Vérifier pour voir si le filtre à sédiment du système d'osmose inverse est bloqué et le remplacer si nécessaire.
- Laisser le réservoir du système d'osmose inverse se remplir après une utilisation intense.
- Si votre réfrigérateur a un filtre à eau, celle-ci peut réduire encore plus la pression de l'eau lorsqu'elle est utilisée avec un système d'osmose inverse. Retirer le filtre à eau. Voir "Système de filtration d'eau".

Si vous avez des questions au sujet de la pression de votre eau, appeler un plombier qualifié agréé.

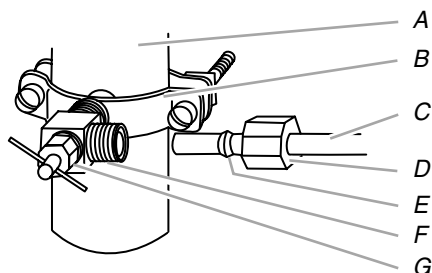
Raccordement de la canalisation d'eau

Raccordement à une canalisation d'eau

1. Débrancher le réfrigérateur ou déconnecter la source de courant électrique.
2. FERMER le robinet principal d'arrivée d'eau. OUVRIR le robinet de puisage le plus proche pendant une période suffisante pour que la canalisation d'eau se vide.
3. Trouver une canalisation d'eau froide verticale de 1/2" à 1 1/4" (12,7 mm à 3,18 mm) près du réfrigérateur.

IMPORTANT :

- Assurez-vous qu'il s'agit d'un conduit d'eau froide.
 - Un conduit horizontal fonctionnera, mais le procédé suivant doit être suivi : percer par le dessus de la canalisation et non pas par le dessous. Ainsi, l'eau ne risquera pas d'arroser la perceuse. Ceci empêche également les sédiments qu'on trouve normalement dans l'eau de s'accumuler dans le robinet d'arrêt.
4. Pour déterminer la longueur du tube en cuivre, il faut mesurer la distance entre le point de connexion au bas du côté arrière droite du réfrigérateur et le tuyau d'arrivée d'eau. Ajouter une longueur de 7 pi (2,1 m) pour permettre le déplacement du réfrigérateur pour le nettoyage. Utiliser un tube en cuivre de 1/4" (6,35 mm) de diamètre extérieur. Veiller à ce que le tube soit coupé d'équerre aux deux extrémités.
 5. À l'aide d'une perceuse électrique reliée à la terre, percer un trou de 1/4" dans le tuyau de canalisation d'eau froide choisie.

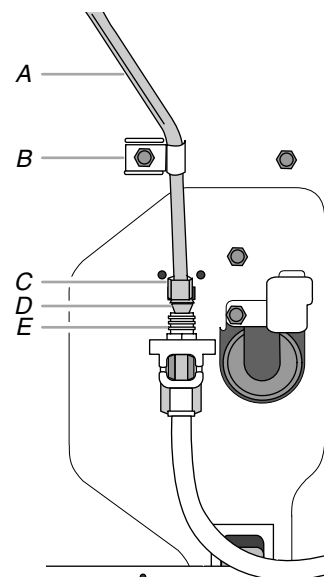


A. Canalisation d'eau froide
B. Bride de tuyau
C. Tube en cuivre
D. Écrou de compression
E. Bague de compression
F. Robinet d'arrêt
G. Écrou de serrage

6. Fixer le robinet sur la canalisation d'eau froide avec la bride de tuyau. Vérifier que le raccord du robinet est bien engagé dans le trou de 1/4" percé dans la canalisation et que la rondelle d'étanchéité est placée sous la bride de tuyau. Serrer l'écrou de serrage. Serrer lentement et uniformément les vis fixant la bride de tuyau sur la tuyauterie afin que la rondelle forme une jonction étanche. Ne pas serrer excessivement car ceci pourrait provoquer l'écrasement du tube en cuivre, particulièrement s'il s'agit d'un tube en cuivre malléable. On est maintenant prêt à connecter le tube de raccordement en cuivre.
7. Enfiler l'écrou et la bague de compression du raccord sur le tube en cuivre comme on le voit sur l'illustration. Insérer l'extrémité du tube aussi loin que possible dans l'ouverture de sortie du robinet. Visser l'écrou de compression sur le raccord de sortie avec une clé à molette. Ne pas serrer excessivement.
8. Placer le bout libre du tube dans l'évier ou un seau et OUVRIR le robinet principal d'arrivée d'eau et laisser l'eau s'écouler par le tube jusqu'à ce que l'eau soit limpide. FERMER le robinet principal d'arrivée d'eau. Vérifier s'il y a des fuites. Enrouler le tube en cuivre en spirale.

Raccordement au réfrigérateur

1. Enlever le capuchon de plastique du robinet d'arrivée d'eau. Connecter le tube en cuivre au robinet d'eau en utilisant un écrou et une bague de compression tel qu'illustré. Serrer l'écrou de compression. Ne pas serrer excessivement. Vérifier que le tube en cuivre est fixé solidement en tirant sur le tube en cuivre.
2. Créer une boucle de service en prenant très grand soin d'éviter les déformations. Fixer le tube en cuivre à la caisse du réfrigérateur avec une bride en "P".



A. Tube en cuivre
B. Bride en "P"
C. Écrou de compression
D. Bague de compression
E. Valve d'entrée d'eau

3. Ouvrir l'arrivée d'eau au réfrigérateur et vérifier s'il y a des fuites. Corriger toute fuite.

Achever l'installation

⚠ AVERTISSEMENT



Risque de choc électrique

Brancher sur une prise à 3 alvéoles reliée à la terre.

Ne pas enlever la broche de liaison à la terre.

Ne pas utiliser un adaptateur.

Ne pas utiliser un câble de rallonge.

Le non-respect de ces instructions peut causer un décès, un incendie ou un choc électrique.

1. Brancher le réfrigérateur ou reconnecter la source de courant électrique.

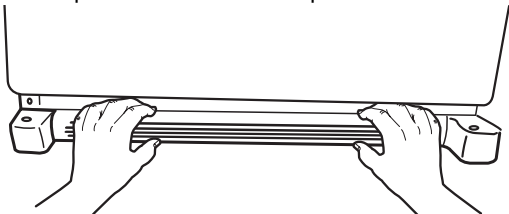
Grille de la base

Pour enlever la grille de la base

1. Saisir la grille à deux mains.
2. Tirer la grille vers soi.

Pour replacer la grille de la base

1. Voir les repères à l'intérieur de la grille de la base pour l'emplacement correct.
2. Aligner les agrafes de montage de la grille avec les fentes de la caisse.
3. Pousser la grille fermement dans les fentes de la caisse jusqu'à ce qu'elle s'enclenche en place.



Porte du réfrigérateur

Les illustrations sont incluses plus loin dans cette section.

Enlèvement et réinstallation des poignées (série Architect®)

1. À l'aide d'une clé Allen de $\frac{3}{32}$ " , desserrer les deux vis de retenue situées sur le côté de chaque poignée. Voir les illustrations 2 et 4.
2. Tirer sur la poignée tout droit pour la sortir de la porte. S'assurer de garder les vis pour réinstaller les poignées.
3. Pour réinstaller la poignée, suivre les instructions dans l'ordre inverse.

Enlèvement des poignées (série avec panneaux décoratifs)

IMPORTANT :

- Vous devez enlever les poignées pour enlever les panneaux décoratifs ou pour inverser l'ouverture de la porte.
- Enlever la porte du réfrigérateur avant d'enlever les poignées.

1. À l'aide d'un tournevis Phillips, enlever la capsule au sommet de la porte. Voir l'illustration 3.
2. Frapper le bord inférieur de la poignée de la porte du réfrigérateur vers le haut avec un maillet en caoutchouc.
3. La poignée glissera vers le haut d'environ $\frac{3}{4}$ " (19,05 mm) et se dégagera de la porte.

Remplacement des poignées (série avec panneaux décoratifs)

1. S'assurer que la capsule de la porte inférieure est installée. Voir l'illustration 5.
2. Aligner les encoches de la poignée avec les languettes en métal de montage au côté de la porte. Glisser la poignée vers le bas jusqu'à son enclenchement.
3. Frapper le sommet de la poignée avec un maillet en caoutchouc pour un ajustage serré.
4. À l'aide d'un tournevis Phillips, réinstaller la capsule de la porte supérieure.

Enlèvement de la porte et des charnières

IMPORTANT :

- Retirer les aliments et tout balconnet ajustable dans les portes.
- Toutes les illustrations mentionnées dans les instructions suivantes sont incluses plus loin dans cette section après "Étapes finales".



Vis de charnière supérieure à tête hexagonale de $\frac{5}{16}$ "

OUTILLAGE REQUIS : Clés à douilles à lame hexagonale de $\frac{5}{16}$ " , $\frac{3}{8}$ " et $\frac{1}{4}$ " , tournevis Phillips n° 2 et un tournevis à tête plate.

1. Débrancher le réfrigérateur ou déconnecter la source de courant électrique.
2. Laisser la porte du réfrigérateur fermée jusqu'à ce vous soyez prêt à la soulever de la caisse.

REMARQUE : Prévoir un support additionnel de la porte pendant la réinstallation des charnières. La force d'attraction des aimants des portes ne suffit pas à les maintenir en place.

3. Enlever les pièces de la charnière supérieure - voir l'illustration de la charnière supérieure. Soulever la porte du réfrigérateur pour la séparer de la caisse.
4. Enlever les pièces de la charnière inférieure - voir l'illustration de la charnière inférieure.

Inversion du sens d'ouverture de la porte (série Architect®)

IMPORTANT : Si on souhaite inverser la position des portes pour pouvoir les ouvrir du côté opposé, procéder comme suit. S'il n'est pas nécessaire de changer l'orientation des portes, voir la section "Remplacement de la porte et des charnières".



Vis de butée de la porte



Vis frontale de scellement de la poignée de la porte



Vis de poignée à tête plate



Bouchon obturateur de charnière de caisse

Caisse

1. Enlever les vis de la charnière (côté poignée); transférer ces pièces du côté opposé. Voir l'illustration 1-1.
2. Enlever les bouchons d'obturation des trous au sommet de la caisse à l'aide de l'embout à lame plate du tournevis enveloppé dans du ruban à masquer; transférer ceux-ci dans les trous de charnière du côté opposé. Voir l'illustration 1-2.

Porte du réfrigérateur

1. Enlever la poignée de la porte du réfrigérateur y compris les tiges et les vis de montage. Conserver toutes les pièces ensemble. Voir l'illustration 2.
2. Enlever la vis frontale de scellement de la poignée de porte. La transférer du côté opposé de la porte du réfrigérateur. Voir l'illustration 5.
3. Enlever la butée de porte du bord inférieur de la porte du réfrigérateur. La transférer du côté opposé de la porte du réfrigérateur. Voir l'illustration 3.
4. Fixer les tiges de montage de la poignée de la porte sur le côté opposé de la porte.
5. Positionner la poignée de porte du réfrigérateur sur les tiges de montage. Voir l'illustration 2. Insérer deux vis de réglage dans les côtés de la poignée.
6. Serrer toutes les vis. Conserver la porte à part jusqu'à la mise en place des charnières et de la porte du congélateur.

Inversion du sens d'ouverture de la porte (série avec panneaux décoratifs)

IMPORTANT :

- Si on souhaite inverser la porte pour pouvoir l'ouvrir du côté opposé, procéder comme suit. Si on ne souhaite pas inverser la porte, voir la section "Remplacement de la porte et des charnières".
 - On doit d'abord enlever la poignée de la porte du réfrigérateur de la série avec panneaux décoratifs pour inverser le sens d'ouverture de la porte.
1. Enlever les bouchons obturateurs de charnières de caisse à l'aide de l'embout de la lame plate d'un tournevis enveloppé dans du ruban à masquer. Déplacer du côté opposé de la caisse. Voir l'illustration 1.
 2. Enlever les vis de charnières. Déplacer du côté opposé de la caisse. Voir l'illustration 2.
 3. À l'aide d'un tournevis Phillips, enlever la butée de la porte et la capsule de la porte situées sur le bord inférieur du compartiment de réfrigération. Voir l'illustration 5.
 4. À l'aide d'un tournevis Phillips, enlever la capsule supérieure de la porte.
 5. Enlever les vis de charnières à tête hexagonale de 1/4" du prolongement supérieur de la porte. Inverser le prolongement supérieur de la porte de sorte que le coin avec encoche tourne vers l'intérieur de la porte. Voir l'illustration 3.
 6. Enlever la garniture de la porte latérale et la garniture de la poignée en frappant le bord inférieur vers le haut avec un maillet en caoutchouc mou. La garniture glissera vers le haut et se dégagera de la porte. Voir l'illustration 4.

7. Replacer la capsule de la porte inférieure et installer la butée de la porte du côté opposé de la porte. Voir l'illustration 5.
8. En utilisant la garniture de porte du côté alternatif, expédiée avec le réfrigérateur, aligner les encoches sur la garniture avec les languettes de montage en métal du côté de la porte. Glisser la garniture vers le bas jusqu'à ce qu'elle s'enclenche en position. Frapper le sommet de la garniture avec un maillet en caoutchouc pour assurer un ajustage serré.
9. Installer la poignée en alignant les encoches de la poignée avec les languettes de montage en métal sur le côté de la porte. Glisser la poignée vers le bas jusqu'à son enclenchement. Frapper le sommet de la poignée avec un maillet en caoutchouc pour assurer un ajustage serré.
10. À l'aide d'un tournevis Phillips, installer le capuchon de la porte.

Remplacement de la porte et des charnières

REMARQUE : Lorsqu'on inverse une porte de la série avec panneaux décoratifs, utiliser la charnière supérieure alternative expédiée avec le réfrigérateur.

1. Replacer les pièces de la charnière inférieure. Voir l'illustration de la charnière inférieure. Resserrer les vis. Replacer la porte du réfrigérateur.
REMARQUE : Prévoir un support additionnel des portes pendant la réinstallation des charnières. La force d'attraction des aimants des portes ne suffit pas à les maintenir en place.
2. Assembler les pièces de la charnière supérieure. Voir l'illustration de la charnière supérieure. Ne pas complètement serrer les vis.
3. Aligner correctement la porte de sorte que le bas de la porte du réfrigérateur s'aligne avec le sommet du tiroir du congélateur. Serrer toutes les vis.

Tiroir du congélateur

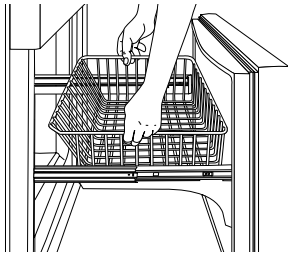
Les illustrations sont incluses plus loin dans cette section.

Enlèvement du tiroir

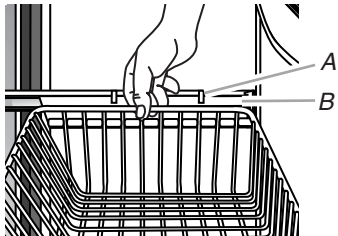
IMPORTANT : Deux personnes peuvent être nécessaires pour exécuter cette opération.

1. Ouvrir complètement le tiroir du congélateur.
2. Retirer tous les articles des paniers.
3. Tirer complètement le panier en broche et le soulever pour l'enlever.

4. Lever le panier inférieur tout droit et le sortir pour l'enlever.



5. Enlever les supports de panier des rails du tiroir. Pousser les agrafes vers l'intérieur hors des rails du tiroir pour déclencher les supports de panier. Soulever les supports de panier hors des rails de tiroir.



A. Agrafe du support
B. Support de panier

6. Soulever le haut de l'avant du tiroir de congélateur pour dégager les crochets des rails du tiroir en dehors des rails du tiroir. Soulever le tiroir pour le retirer.

Réinstallation du tiroir

IMPORTANT : Deux personnes peuvent être nécessaires pour exécuter cette opération.

1. Tirer complètement les deux rails de tiroir vers l'extérieur.
2. Localiser les encoches du côté interne de chaque rail de tiroir. Voir l'illustration 6-1.

3. Tout en soutenant l'avant du tiroir, accrocher les supports de tiroir dans les encoches du côté interne des rails de tiroir. Abaisser l'avant du tiroir à son emplacement final. Voir l'illustration 6-2.
4. Remettre les supports de panier sur les rails du tiroir. Aligner les agrafes avec les fentes sur les rails de tiroir, et appuyer sur chaque agrafe vers le rail jusqu'à ce qu'elle s'enclenche.
5. Avec les rails de tiroir sortis complètement, installer le panier inférieur tout droit vers le bas dans les supports de panier.
6. Faire glisser le panier supérieur dans le rail du tiroir moulé. S'assurer que l'arrière du panier s'accroche derrière le taquet du rail de tiroir.

Étapes finales

1. Inspecter tous les trous. Vérifier que tous les bouchons d'obturation et vis sont en place. Réinstaller le couvercle de la charnière supérieure. Voir l'illustration de la charnière supérieure.

⚠ AVERTISSEMENT



Risque de choc électrique

Brancher sur une prise à 3 alvéoles reliée à la terre.

Ne pas enlever la broche de liaison à la terre.

Ne pas utiliser un adaptateur.

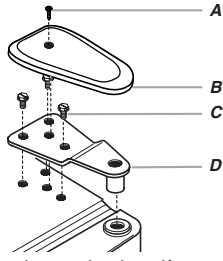
Ne pas utiliser un câble de rallonge.

Le non-respect de ces instructions peut causer un décès, un incendie ou un choc électrique.

2. Brancher le réfrigérateur ou reconnecter la source de courant électrique.
3. Réinstaller toutes les pièces amovibles dans les portes; y ranger les aliments.

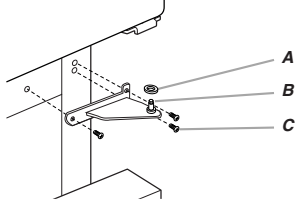
Démontage et réinstallation de la porte

Charnière supérieure



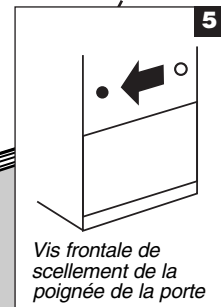
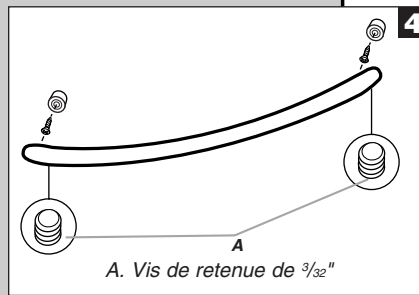
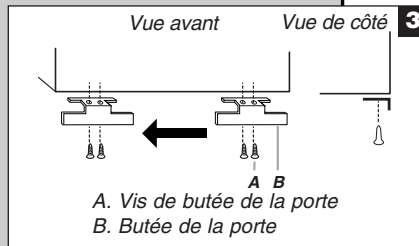
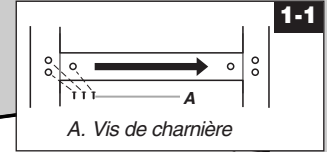
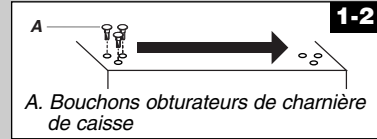
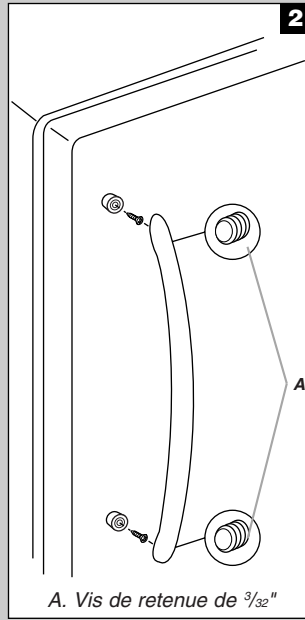
- A. Vis de plaque de charnière
- B. Plaque de charnière supérieure
- C. Vis de charnière à tête hexagonale de 5/16"
- D. Charnière supérieure

Charnière inférieure

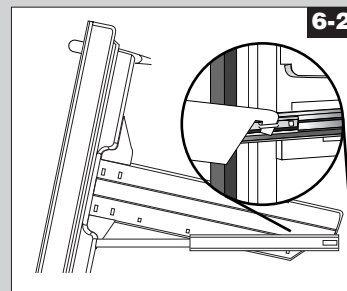
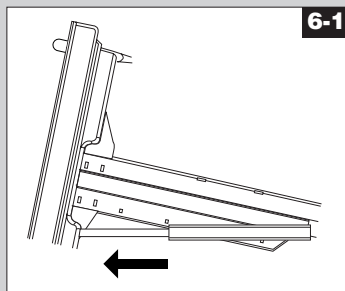


- A. Cale
- B. Charnière centrale
- C. Vis de charnière

Inversion du sens d'ouverture des portes (facultatif)

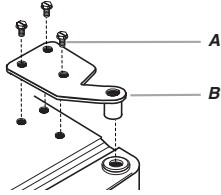


Démontage et réinstallation du tiroir



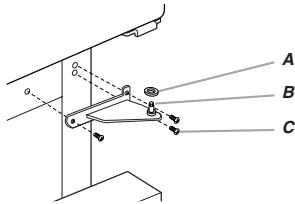
Démontage et réinstallation de la porte

Charnière supérieure



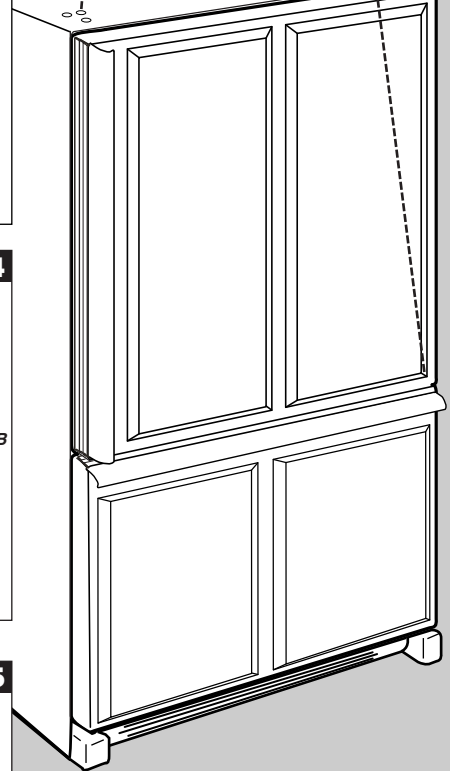
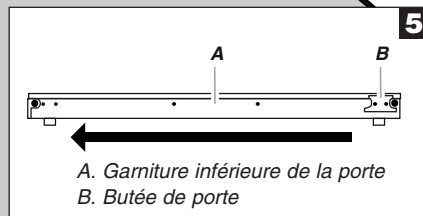
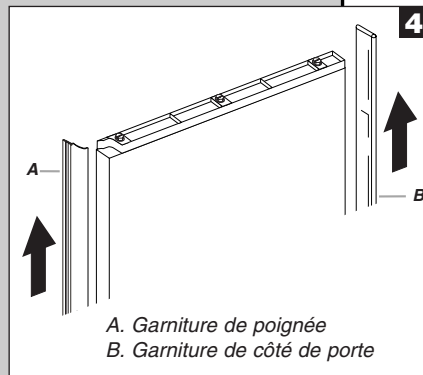
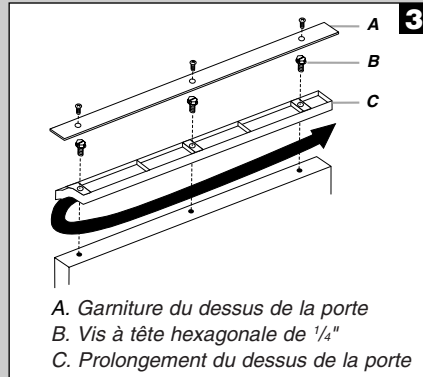
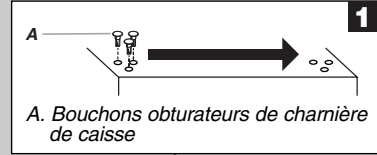
- A. Vis de charnière à tête hexagonale de 5/16"
- B. Charnière supérieure

Charnière inférieure

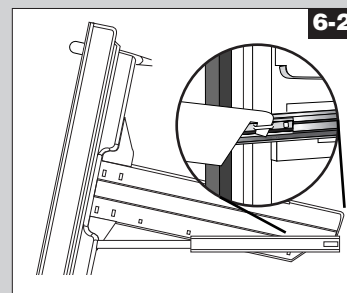
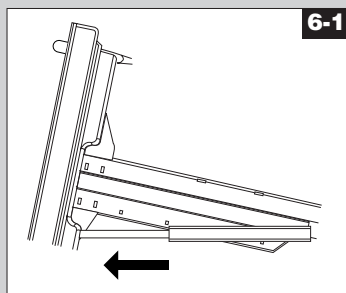


- A. Cale
- B. Charnière centrale
- C. Vis de charnière

Inversion du sens d'ouverture des portes (facultatif)



Démontage et réinstallation du tiroir



Ajustement de la porte

Selon votre modèle, le réfrigérateur peut comporter deux (**Style 1**) ou quatre (**Style 2**) roulettes réglables situées à la base du réfrigérateur. Si votre réfrigérateur semble instable ou si vous désirez que les portes se ferment plus facilement, faire le réglage de l'inclinaison du réfrigérateur en suivant les instructions ci-dessous.

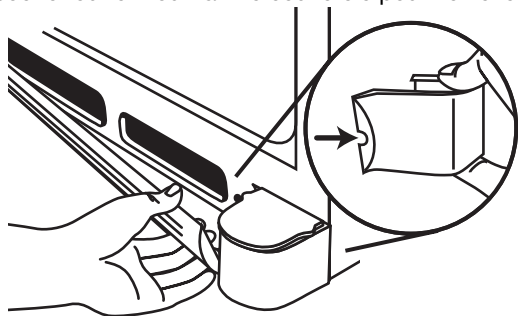
AVERTISSEMENT

Risque du poids excessif

Utiliser deux ou plus de personnes pour déplacer et installer le réfrigérateur.

Le non-respect de cette instruction peut causer une blessure au dos ou d'autre blessure.

1. Placer le réfrigérateur à son emplacement final.
2. Retirer la grille de la base. Tenir la grille fermement et tirer vers soi pour la détacher.
3. Enlever les couvercles du support. Insérer l'extrémité d'un stylo dans l'encoche du couvercle. Appliquer une légère pression vers le bas sur la partie du couvercle où se trouve l'encoche tout en tournant le couvercle pour l'enlever.



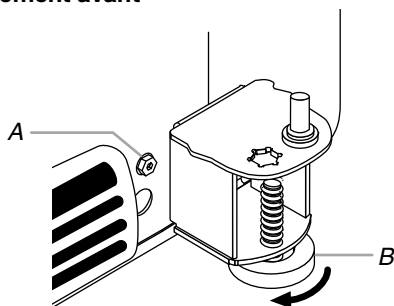
4. À l'aide d'un tournevis ou d'un tournevis à tête hexagonale de $\frac{3}{8}$ ", tourner les vis de réglage avant ou arrière de chaque côté pour relever ou abaisser l'avant ou l'arrière du réfrigérateur.

REMARQUE : Si une autre personne pousse le haut du réfrigérateur, le poids devient moins lourd sur les vis de réglage et les roulettes, ce qui rend plus facile l'ajustement des vis.

- Pour soulever, tourner la vis de réglage des roulettes vers la droite.
- Pour abaisser, tourner la vis de réglage des roulettes vers la gauche.

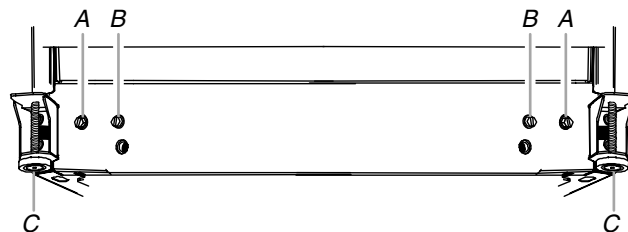
REMARQUE : Il peut être nécessaire de tourner les vis de réglage de plusieurs tours pour affecter l'inclinaison du réfrigérateur.

Style 1 - Nivellement avant



A. Vis de réglage des roulettes
B. Pied de stabilisation

Style 2 - Nivellement avant et arrière



A. Vis de réglage avant
B. Vis de réglage arrière
C. Pied de stabilisation

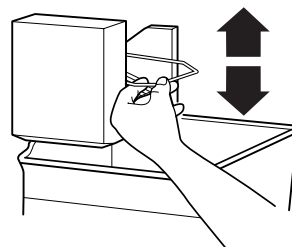
5. Ouvrir de nouveau la porte et s'assurer qu'elle ferme aussi facilement que vous l'aimez. Sinon, incliner légèrement le réfrigérateur vers l'arrière en tournant les deux vis avant de réglage des roulettes vers la droite. Il faudra peut-être plusieurs tours et vous devriez tourner les deux vis de réglage des roulettes également.
6. Abaisser le pied de stabilisation en le tournant dans le sens horaire jusqu'à ce qu'il touche bien le sol.
7. Tourner les vis de réglage avant dans le sens antihoraire pour permettre au poids total du réfrigérateur de reposer sur les pieds de stabilisation.
8. Réinstaller les couvercles du support. Placer chaque couvercle du support sur le bord extérieur, tourner le couvercle vers la caisse et l'enclencher en place.
9. Réinstaller la grille de la base.

Préparation du système d'eau

Veuillez lire avant l'utilisation du système d'eau.

Immédiatement après l'installation, suivre les étapes ci-dessous pour avoir la certitude que le système d'eau est bien nettoyé.

1. Arrêter la machine à glaçons en ouvrant la porte du congélateur et en soulevant le bras de commande en broche comme illustré.

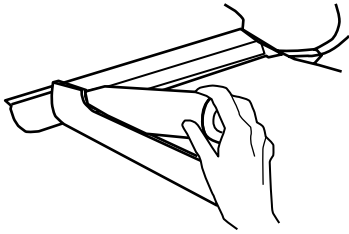


2. Installer le filtre à eau intérieur. La bride de montage du filtre à eau intérieur est située du côté gauche du compartiment de réfrigération.

REMARQUE : Ne pas utiliser ce produit pour le filtrage d'une eau microbiologiquement dangereuse ou de qualité inconnue en l'absence d'un dispositif de désinfection adéquat avant ou après le système. Les systèmes certifiés pour la réduction de kyste peuvent être utilisés pour l'eau désinfectée qui peut contenir des kystes filtrables.

- Enlever le capuchon bleu de déviation et le garder pour utilisation ultérieure.
- Enlever minutieusement le filtre à eau intérieur de son emballage. Enlever l'étiquette de scellement au bout du filtre et l'insérer dans la tête du filtre.

- Tourner délicatement le filtre dans le sens horaire jusqu'à son arrêt et enclencher le couvercle du filtre pour le fermer.



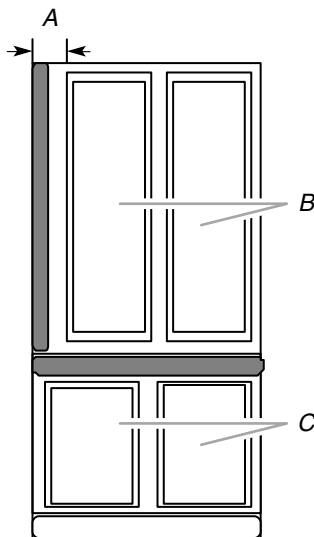
3. Vider le système d'eau en laissant couler et en jetant 2 à 3 gallons (8 à 12 L) d'eau. Le nettoyage du système prendra environ 6 à 7 minutes et aidera à dégager l'air du conduit. Un écoulement additionnel peut être requis dans certains domiciles.

REMARQUE : Pendant l'évacuation de l'air, l'eau peut gicler du distributeur.

4. Inspecter le système de filtre pour les fuites d'eau. Si vous constatez des fuites d'eau, voir la section "Dépannage".
5. Mettre la machine à glaçons en marche en ouvrant la porte du congélateur et en abaissant le bras de commande en broche comme illustré. Veuillez consulter la section "Machine à glaçons" pour d'autres instructions sur le fonctionnement de la machine à glaçons.
 - Accorder 24 heures pour produire la première quantité de glaçons.
 - Jeter les trois premières quantités de glaçons produites.

Ensemble décoratif de l'usine (sur certains modèles)

Une occasion peut survenir lorsque vous devez enlever l'ensemble décoratif installé à l'usine, comme les cas de déménagement du réfrigérateur à une nouvelle habitation ou l'installation de panneaux décoratifs personnalisés. Veuillez bien lire toutes les instructions avant d'enlever l'ensemble décoratif et les panneaux.



A. 2 1/2" (6,35 cm) de dégagement
B. Panneau décoratif en relief
C. Panneau de tiroir en relief

Enlèvement du panneau de la porte

IMPORTANT :

- La porte doit être enlevée du réfrigérateur avant d'enlever la poignée.
 - La garniture supérieure doit être enlevée du réfrigérateur avant d'enlever le panneau de la porte.
1. Enlever la poignée du réfrigérateur :
 - À l'aide d'un tournevis Phillips, enlever le couvercle du sommet de la porte.
 - Frapper le bord inférieur de la poignée de la porte du réfrigérateur vers le haut avec un maillet en caoutchouc.
 - La poignée glissera vers le haut environ 3/4" (19,05 mm) et se dégagera de la porte.
 2. Enlever le panneau de la porte :
 - Glisser le panneau décoratif et la planchette de remplissage vers l'extérieur.
 - Remiser le panneau et la planchette de remplissage soigneusement pour empêcher les égratignures.

Réinstallation du panneau de porte

1. Réinstaller le panneau de porte du réfrigérateur :
 - Glisser soigneusement le panneau décoratif d'épaisseur maximale de 1/4" (6,35 mm) dans les rainures fournies dans le couvercle de la porte inférieure et la garniture latérale.
 - Glisser la planchette de remplissage en place derrière le panneau décoratif si nécessaire.
2. Fixer la poignée et la garniture.
3. Réinstaller la porte du réfrigérateur.

Enlèvement et réinstallation du panneau du tiroir du congélateur

REMARQUE : Il n'est pas nécessaire d'enlever le tiroir du congélateur pour enlever ou réinstaller le panneau décoratif.

1. Retirer le tiroir du congélateur pour avoir accès aux vis de la poignée.
2. À l'aide d'un tournevis Phillips, enlever les vis de la poignée et soulever la poignée.
3. Glisser le panneau décoratif et la planchette de remplissage à travers l'ouverture de la poignée.
4. Réinstaller les panneaux décoratifs en inversant les instructions.

Entretien des panneaux décoratifs

1. Nettoyer les panneaux avec un nettoyant pour acier inoxydable et poli ou un savon doux et de l'eau avec un linge doux, propre et humide.
2. Rincer à fond les panneaux et sécher en absorbant l'eau comme un buvard, à l'aide d'un chiffon sec ou d'une peau de chamois.

REMARQUE : Ne pas utiliser des essuie-tout ou des nettoyants qui contiennent des solvants tels que l'ammoniaque. Ils peuvent endommager la surface des panneaux.

Installation des panneaux personnalisés en bois

Si vous prévoyez installer des panneaux décoratifs personnalisés en bois, vous devrez les créer vous-même ou consulter un ébéniste ou un menuisier. Voir les dessins dimensionnels pour les encarts des panneaux en bois.

Panneaux unis :

On peut créer un panneau uni personnalisé de $\frac{1}{4}$ " (6,35 mm) maximum d'épaisseur pour remplacer vos panneaux décoratifs. Les panneaux en bois unis de moins de $\frac{1}{4}$ " (6,35 mm) d'épaisseur ne sont pas recommandés.

Panneaux en relief :

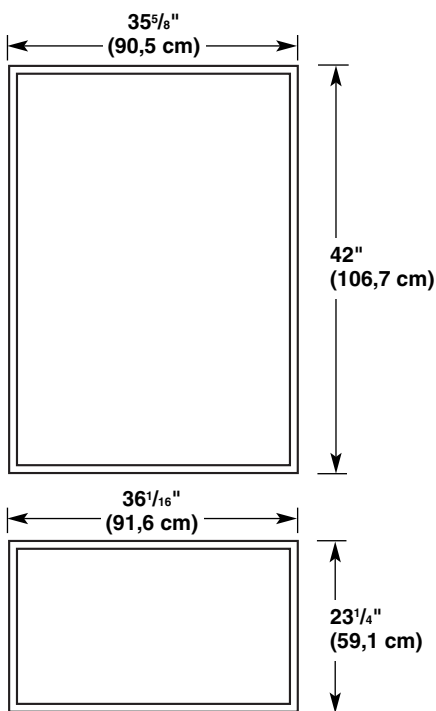
Un panneau en relief peut être créé en vissant ou en collant des panneaux en bois à un appui de $\frac{1}{4}$ " (6,35 mm) ou en utilisant un panneau de $\frac{3}{4}$ " (19,05 mm) avec rebord aminci. Accorder un dégagement de $2\frac{1}{2}$ " (6,35 cm) minimum entre le rebord en relief du panneau et la poignée.

Exigences de poids pour les encarts de panneaux en relief :

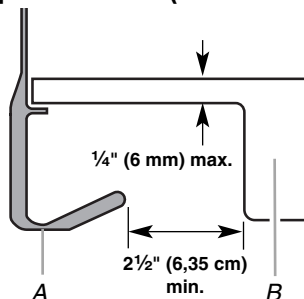
- Le panneau de la porte du réfrigérateur ne devrait pas excéder 30 lb (14 kg).
- Le poids combiné des panneaux de la porte du congélateur ne devrait pas excéder 15 lb (7 kg).

Dimensions pour les panneaux en bois personnalisés

Porte du réfrigérateur de 20 pi cu



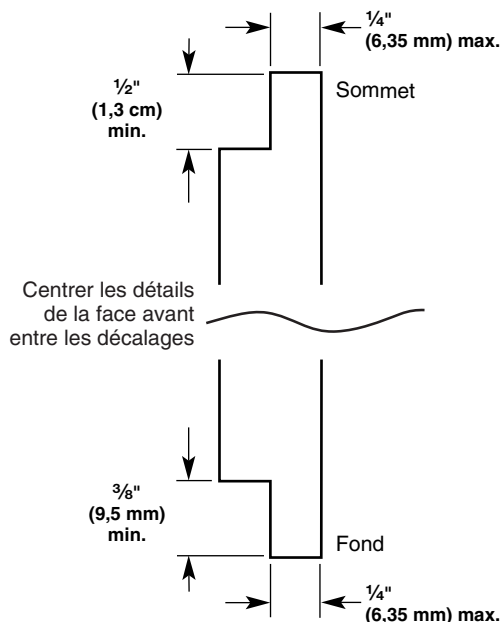
Dimensions pour l'usinage du côté de la poignée des panneaux de la porte en relief (vue du bout)



A. Poignée

B. Panneau de porte

Dimensions pour l'usinage du panneau de porte (vue latérale)



Sons normaux

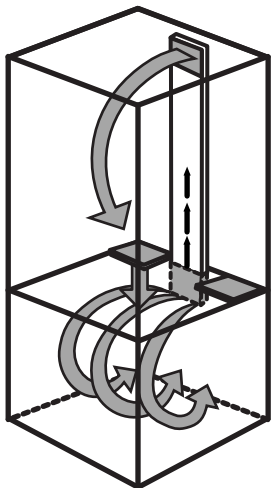
Il est possible que le réfrigérateur neuf émette des sons que l'appareil précédent ne produisait pas. Comme ces sons sont nouveaux, ils peuvent vous inquiéter. La plupart de ces nouveaux sons sont normaux. Des surfaces dures comme le plancher, les murs et les armoires peuvent faire paraître les sons plus forts qu'en réalité. Les descriptions suivantes indiquent le genre de sons et leur origine.

- Si votre réfrigérateur est équipé d'une machine à glaçons, vous entendrez un bruit de gargouillement lorsque la valve d'eau s'ouvre pour remplir la machine à glaçons pour chaque programme.
- Votre réfrigérateur est conçu pour fonctionner plus efficacement afin de garder les aliments à la température désirée et pour minimiser la consommation d'énergie. Le compresseur et les ventilateurs très efficaces peuvent faire fonctionner votre réfrigérateur plus longtemps que l'ancien. Vous pouvez aussi entendre des bruits saccadés ou aigus provenant du compresseur et des ventilateurs qui s'ajustent pour optimiser la performance.
- Vous pouvez entendre le moteur du ventilateur d'évaporation qui fait circuler l'air dans le réfrigérateur et le congélateur. La vitesse du ventilateur peut augmenter si on ouvre les portes ou si on ajoute des aliments chauds.
- Les vibrations sonores peuvent provenir de l'écoulement du réfrigérant, de la canalisation d'eau ou d'articles placés sur le réfrigérateur.
- L'eau qui dégoutte sur le dispositif de chauffage durant le programme de dégivrage peut produire un grésillement.
- À la fin de chaque programme, vous pouvez entendre un gargouillement attribuable au réfrigérant qui circule dans votre réfrigérateur.
- La contraction et l'expansion des parois internes peuvent produire un bruit sec.
- Vous pouvez entendre de l'air forcé sur le condenseur par le ventilateur du condenseur.
- Vous pouvez entendre l'écoulement de l'eau dans le plat de récupération d'eau pendant le programme de dégivrage.

UTILISATION DU RÉFRIGÉRATEUR

Pour s'assurer d'une circulation d'air appropriée

Pour s'assurer d'avoir les températures appropriées, il faut permettre à l'air de circuler entre les sections du réfrigérateur et du congélateur. Comme l'indique l'illustration, l'air froid pénètre dans la section du congélateur par les ouvertures d'aération à l'arrière et au sommet. L'air passe à travers la section du congélateur et recircule sous le plancher du congélateur. L'air froid pénètre dans la section du réfrigérateur par le sommet et circule en descendant sur les tablettes jusqu'aux portes et recircule pour retourner aux ouvertures d'aération en bas.



Ne pas obstruer l'une ou l'autre de ces ouvertures d'aération avec des emballages d'aliments. Si les ouvertures d'aération sont obstruées, le débit d'air sera bloqué et des problèmes de température et d'humidité surviendront.

IMPORTANT : Comme l'air circule entre les deux sections, toutes les odeurs formées dans une section seront transférées à l'autre. Vous devez nettoyer à fond les deux sections pour éliminer les odeurs. Pour empêcher le transfert d'odeurs et l'assèchement des aliments, envelopper ou couvrir les aliments hermétiquement.

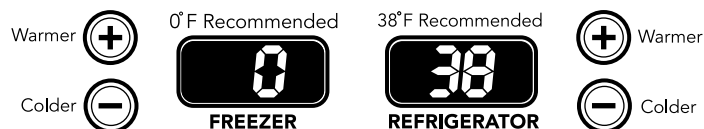
Utilisation des commandes

Le centre de commande est situé dans la partie supérieure avant du compartiment de réfrigération.

Commandes de température

Pour votre commodité, les commandes de température sont préréglées à l'usine. Lors de l'installation initiale du réfrigérateur, s'assurer que les commandes sont encore préréglées aux points de réglage recommandés tel qu'illustré.

Réglages recommandés



IMPORTANT :

- Lorsque l'appareil est sous tension, l'afficheur indique la température réelle du compartiment.
- Attendre 24 heures avant de placer des aliments dans le réfrigérateur. Si vous ajoutez des aliments avant que le réfrigérateur ait complètement refroidi, vos aliments peuvent être abîmés.

REMARQUE : Tourner les commandes du réfrigérateur et du congélateur à un réglage plus élevé (plus froid) que le réglage recommandé ne refroidira pas les compartiments plus vite.

- Les réglages recommandés devraient convenir à un usage domestique normal. Les commandes sont réglées correctement lorsque le lait ou le jus est aussi froid que vous l'aimez et lorsque la crème glacée est ferme.
- Si la température est trop élevée ou trop basse dans les compartiments de réfrigération ou de congélation, vérifier d'abord les ouvertures d'aération pour s'assurer qu'elles ne sont pas bloquées avant d'ajuster les commandes. Voir "Pour s'assurer d'une circulation d'air appropriée".

Désactivation/activation du réfrigérateur :

- Appuyer à plusieurs reprises sur la touche (+) du congélateur jusqu'à l'apparition de "OFF" sur l'affichage du congélateur. Le réfrigérateur s'arrêtera au bout de quelques secondes. Aucun compartiment ne refroidira.
- Appuyer sur la touche (-) du réfrigérateur ou du congélateur pour mettre le réfrigérateur en marche.

Ajustement des réglages de commande

La commande du RÉFRIGÉRATEUR règle la température du compartiment de réfrigération. La commande du CONGÉLATEUR règle la température du compartiment de congélation.

S'il est nécessaire d'ajuster la température dans le compartiment de réfrigération ou de congélation, utiliser les réglages indiqués dans le tableau ci-dessous comme guide.

Pour ajuster les réglages de température :

Lorsqu'on appuie une première fois sur la touche (+) ou (-), le point de réglage actuel de la température s'affiche. L'affichage indique le point de réglage pendant environ 3 secondes puis revient à la température réelle.

- Appuyer sur les touches (+) ou (-) jusqu'à l'affichage du point de réglage désiré de la température.

REMARQUE : Ne pas ajuster les commandes de température de plus d'un cran à la fois, sauf lors de la mise en marche initiale du réfrigérateur. Attendre 24 heures entre les ajustements pour que la température puisse se stabiliser.



CONDITION/RAISON :	AJUSTEMENT :
RÉFRIGÉRATEUR trop tiède - Porte fréquemment ouverte, grande quantité d'aliments ajoutée, température ambiante très chaude	Tourner le réglage du RÉFRIGÉRATEUR de la TEMPÉRATURE 1° plus bas
CONGÉLATEUR trop tiède/ glaçons pas préparés assez vite - Porte fréquemment ouverte ou grande quantité d'aliments ajoutée ou température ambiante très froide (programme en fonctionnement trop peu fréquent) - Usage intense de glaçons	Tourner le réglage du CONGÉLATEUR de la TEMPÉRATURE 1° plus bas
RÉFRIGÉRATEUR trop froid - Réglages incorrects pour les conditions existantes	Tourner le réglage du RÉFRIGÉRATEUR de la TEMPÉRATURE 1° plus haut
CONGÉLATEUR trop froid - Réglages incorrects pour les conditions existantes	Tourner le réglage du CONGÉLATEUR de la TEMPÉRATURE 1° plus haut

Autres caractéristiques du centre de commande

Max Cool (refroidissement maximum)

La caractéristique Max Cool est utile lors de périodes d'utilisation intense du réfrigérateur, de l'addition d'un grand nombre d'aliments ou de l'élévation temporaire de la température de la pièce.

- Appuyer sur la touche Max Cool pour régler le congélateur et le réfrigérateur aux réglages de température les plus bas. Appuyer à nouveau sur la touche Max Cool pour revenir au point de réglage normal du réfrigérateur.

REMARQUE : La caractéristique Max Cool s'éteindra automatiquement au bout de 12 heures environ.



Caractéristique OptimIce® (fabrication intensive de glaçons)

La caractéristique OptimIce® augmente la production de glaçons, ce qui est utile en période d'utilisation intense de glaçons.

- Appuyer sur la touche OptimIce pour régler le congélateur au réglage de température le plus bas. Appuyer à nouveau sur la touche OptimIce pour revenir au point de réglage normal du congélateur.

REMARQUE : La caractéristique OptimIce® s'éteindra automatiquement au bout de 24 heures environ.



Holiday Mode (mode vacances)

En mode vacances, le congélateur ne dégivre pas automatiquement aussi fréquemment afin d'économiser l'énergie.

- Pour activer cette caractéristique, appuyer sur la touche Holiday Mode jusqu'à ce que le témoin lumineux s'allume. Appuyer à nouveau sur Holiday Mode ou ouvrir la porte du réfrigérateur pour désactiver cette caractéristique.

REMARQUE : La porte du réfrigérateur peut être ouverte dans l'heure qui suit le réglage du mode vacances sans désactiver la caractéristique.



Temp Alarm (alarme de dépassement de température)

L'alarme de dépassement de la température indique à la fois une panne de courant et un réchauffement de l'appareil.

Panne de courant

Au cours d'une panne de courant, si les températures dans les compartiments de réfrigération et de congélation excèdent les températures de fonctionnement normales, la plus haute température atteinte sera affichée.

- Pour activer cette caractéristique, appuyer sur la touche Temp Alarm jusqu'à ce que le témoin lumineux s'allume. Pour désactiver cette caractéristique, appuyer sur Temp Alarm pendant 3 secondes jusqu'à ce que le témoin lumineux s'éteigne.

Alarme indiquant un réchauffement

Un signal d'alarme sera émis à plusieurs reprises si les températures dans les compartiments de réfrigération ou de congélation excèdent les températures de fonctionnement normales pendant une heure ou plus.

L'affichage indiquera alternativement les températures actuelles et les températures les plus élevées atteintes dans les compartiments durant la panne de courant.

- Appuyer une fois sur la touche Temp Alarm pour arrêter le signal sonore et l'alternance d'affichage des températures. Le témoin Temp Alarm continuera de clignoter jusqu'à ce que la température du réfrigérateur se stabilise.



Temp
Alarm

Door Alarm (avertisseur de la porte)

La caractéristique Door Alarm fait retentir une sonnerie toutes les quelques secondes lorsque la porte du réfrigérateur a été laissée ouverte continuellement pendant 5 minutes. La sonnerie retentira jusqu'à ce que la porte soit fermée ou que la caractéristique Door Alarm soit désactivée.

- Appuyer sur la touche Door Alarm pour activer ou désactiver cette caractéristique. Le témoin lumineux est allumé lorsque la caractéristique Door Alarm est activée.



Door
Alarm

Témoins lumineux de l'état du filtre à eau et réinitialisation du filtre (sur certains modèles)

Voir "Témoins lumineux de l'état du filtre à eau".

Préférences de l'utilisateur

Le centre de commande vous permet de régler les préférences de l'utilisateur.

Affichage de la température (F_C)

Cette préférence vous permet de modifier l'affichage de la température.

F - Température en degrés Fahrenheit

C - Température en degrés Celsius

Alarme (AL)

Cette préférence vous permet de désactiver le son de toutes les alarmes.

ON (marche) – Le son de l'alarme sera audible.

OFF (arrêt) – Le son de l'alarme ne sera pas audible.

Mode Sabbath (SAB)

IMPORTANT : Cette préférence ne désactive pas les lampes internes.

ON (marche) – Toutes les lampes du panneau de commande désactivées.

OFF (arrêt) – Toutes les lampes du panneau de commande activées.

REMARQUE : Appuyer sur n'importe quelle touche du panneau de commande pour réactiver les lampes du panneau de commande.

Pour accéder au menu des préférences de l'utilisateur :

1. Appuyer sur la touche Door Alarm (alarme de la porte) pendant 3 secondes. Le nom de la préférence apparaît sur l'affichage du congélateur et le statut de la préférence (F/C) ou (ON/OFF) apparaît sur l'affichage du réfrigérateur.
2. Utiliser les touches (+) ou (-) du congélateur pour faire défiler les noms de préférence. Lorsque le nom de la préférence désirée s'affiche, appuyer sur les touches (+) ou (-) du réfrigérateur pour modifier le statut de la préférence.
3. Enregistrer les préférences en appuyant sur la touche Door Alarm pendant 3 secondes ou en fermant la porte du compartiment de réfrigération.

Distributeur d'eau

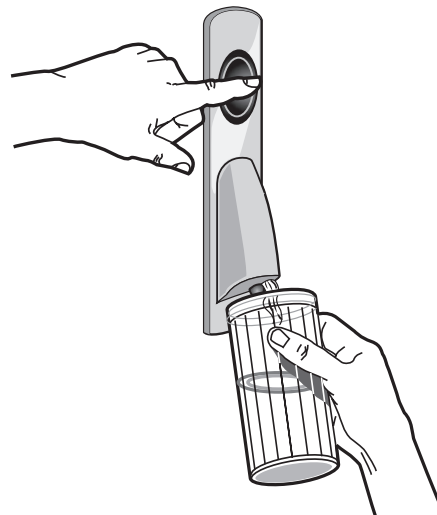
(sur certains modèles)

Si le système d'eau n'a pas fait l'objet d'une vidange lors de l'installation initiale du réfrigérateur, puiser de l'eau dans un contenant jusqu'à l'obtention de 2 à 3 gallons (8 à 12 L), que vous jetterez ou environ 6 à 7 minutes après le commencement de la distribution d'eau. Cette eau ainsi puisée et jetée rince le réservoir et les tuyauteries. Accorder plusieurs heures pour que le réfrigérateur se refroidisse et refroidisse l'eau.

Distribution d'eau

1. Tenir un contenant sous le distributeur en appuyant sur le bouton.
2. Relâcher le bouton pour arrêter l'écoulement.

REMARQUE : Puiser une quantité suffisante d'eau chaque semaine pour maintenir un approvisionnement frais.

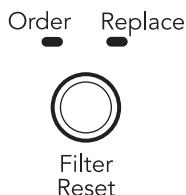


Témoins lumineux de l'état du filtre à eau

(sur certains modèles)

Le témoin lumineux de l'état du filtre à eau vous aidera à savoir quand changer le filtre à eau. Lorsque le témoin jaune (Order/commander) est allumé, il est pratiquement temps de changer le filtre à eau. Lorsque le témoin rouge (Replace/remplacer) est allumé, un nouveau filtre à eau doit être installé. Voir "Système de filtration de l'eau".

Après remplacement du filtre à eau, appuyer sur FILTER RESET (réinitialisation du filtre) pendant 3 secondes jusqu'à ce que les témoins Order (commander) ou Replace (remplacer) s'éteignent.



Système de filtration d'eau intérieur

REMARQUE : Ne pas utiliser ce produit pour le filtrage d'une eau microbiologiquement polluée ou de qualité inconnue en l'absence d'un dispositif de désinfection adéquat avant ou après le système. Les systèmes certifiés pour la réduction de kyste peuvent être utilisés pour l'eau désinfectée qui peut contenir des kystes filtrables.

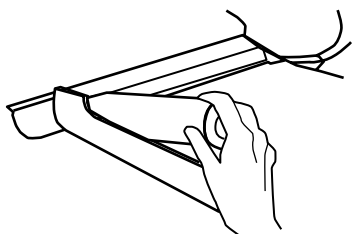
IMPORTANT :

- Le filtre à eau doit être remplacé lorsque le témoin de l'état du filtre est rouge (Replace/remplacer) ou dès que le débit d'eau au distributeur d'eau ou à la machine à glaçons diminue de façon perceptible.
- L'air emprisonné dans le système peut causer l'éjection de l'eau et du filtre à eau. Faire couler l'eau pendant 2 minutes avant d'enlever le filtre à eau usé.

Remplacement du filtre à eau

La bride de montage du filtre à eau est située du côté droit du réfrigérateur.

1. Tourner le filtre usé dans le sens antihoraire jusqu'à ce qu'il se dégage de la bride de montage du filtre.
2. Vider l'eau du filtre à eau dans l'évier et jeter le filtre à eau usé. Essuyer l'excès d'eau dans le couvercle du filtre.
3. Enlever l'étiquette scellée de l'extrémité du filtre neuf et l'insérer dans la bride de montage du filtre. Tourner délicatement le filtre dans le sens horaire jusqu'à ce que le filtre s'arrête, et enclencher le couvercle du filtre fermé.



4. Vider le système d'eau en laissant couler et en jetant 2 à 3 gallons (8 à 12 L) d'eau. Le nettoyage du système prendra environ 6 à 7 minutes et aidera à dégager l'air du conduit. Un écoulement additionnel peut être requis dans certains domiciles.
5. Inspecter le système de filtre pour les fuites d'eau. Si vous constatez des fuites d'eau, voir "Dépannage".

Utilisation du distributeur sans filtre à eau

On peut utiliser le distributeur d'eau sans une cartouche de filtre à eau, mais l'eau ne sera pas filtrée. Si vous choisissez cette option, remplacer le filtre avec le capuchon bleu de déviation.

Machine à glaçons

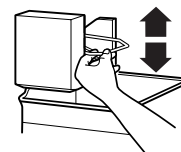
Mise en marche/arrêt de la machine à glaçons

REMARQUE : Ne pas forcer le bras de commande en broche vers le haut ou vers le bas.

- Pour mettre la machine à glaçons en marche, il suffit d'abaisser le bras de commande en broche.

REMARQUE : Votre machine à glaçons a un arrêt automatique. Au fur et à mesure de la fabrication de la glace, les glaçons remplissent le bac d'entreposage de glaçons. Les glaçons soulèvent le bras de commande en broche à la position OFF (élevée).

- Pour un arrêt manuel, soulever le bras de commande en broche à la position OFF (élevée) et attendre le déclic pour s'assurer que la machine à glaçons ne continuera pas de fonctionner.



Taux de production de glaçons

- Production normale de glaçons : La machine à glaçons devrait produire un lot complet de glaçons toutes les 3 heures. Si les glaçons ne sont pas fabriqués assez rapidement, tourner la commande du congélateur vers un chiffre plus bas (plus froid) en étapes. Attendre 24 heures et, si nécessaire, tourner graduellement la commande du congélateur au réglage le plus bas, en attendant 24 heures entre chaque augmentation.
- Production de glaçons OptimIce (sur certains modèles) : La machine à glaçons devrait produire environ de 16 à 20 lots de glaçons par période de 24 heures. Si votre réfrigérateur est doté de la caractéristique de production de glaçons OptimIce®, appuyer sur la touche OptimIce.

À noter

- Accorder 24 heures pour produire la première quantité de glaçons. Jeter les trois premières quantités de glaçons produites.
- La qualité de vos glaçons sera seulement aussi bonne que la qualité de l'eau fournie à votre machine à glaçons. Éviter de brancher la machine à glaçons à un approvisionnement d'eau adoucie. Les produits chimiques adoucisseurs d'eau (tels que le sel) peuvent endommager des pièces de la machine à glaçons et causer une piètre qualité des glaçons. Si une alimentation d'eau adoucie ne peut pas être évitée, s'assurer que l'adoucisseur d'eau fonctionne bien et qu'il est bien entretenu.
- Ne pas garder quoi que ce soit sur le dessus de la machine à glaçons ou dans le bac à glaçons.

CARACTÉRISTIQUES DU RÉFRIGÉRATEUR

Votre modèle peut comporter certaines ou toutes ces caractéristiques.

Importants renseignements à savoir au sujet des tablettes et des couvercles en verre :

Ne pas nettoyer les tablettes ou couvercles en verre avec de l'eau tiède quand ils sont froids. Les tablettes et les couvercles peuvent se briser s'ils sont exposés à des changements soudains de température ou à un impact tel que coup brusque. Pour votre protection, le verre trempé est conçu pour éclater en d'innombrables pièces minuscules. Ceci est normal. Les tablettes et les couvercles en verre sont lourds. Un soin spécial s'impose lors de leur déplacement pour éviter l'impact d'une chute.

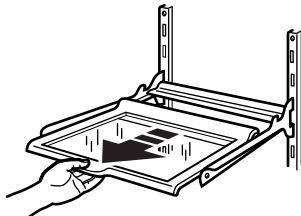
Tablettes du réfrigérateur

Les tablettes dans votre réfrigérateur peuvent être réglées pour correspondre à vos besoins de rangement individuels.

Le remisage d'aliments semblables ensemble dans le réfrigérateur et le réglage des tablettes pour convenir à différentes hauteurs d'articles alimentaires et de contenants, permettront de trouver l'article désiré plus facilement et réduiront aussi le temps d'ouverture de la porte du réfrigérateur, ce qui économisera de l'énergie.

Tablettes coulissantes

- Pour faire glisser la tablette vers l'extérieur, tirer délicatement la tablette vers soi.
- Pour faire glisser la tablette vers l'intérieur, pousser la tablette jusqu'au fond.

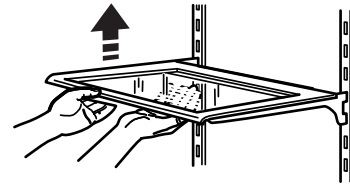


Tablettes et cadres de tablette

Pour retirer et réinstaller un cadre/une tablette :

1. Retirer le cadre/la tablette en inclinant le devant vers le haut et en le soulevant hors des supports de tablette.
2. Réinstaller le cadre/la tablette en guidant les crochets arrière de la tablette dans les supports de tablette. Incliner le devant de la tablette vers le haut jusqu'à ce que les crochets arrière tombent dans les supports de tablette.

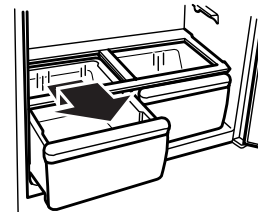
3. Abaisser le devant de la tablette et s'assurer que la tablette est fixée solidement en place.



Bac à légumes et couvercle

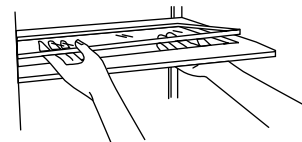
Pour retirer et réinstaller le(s) bac(s) à légumes :

1. Faire glisser le(s) bac(s) tout droit jusqu'à la butée. Soulever le devant du ou des bacs et glisser le reste du ou des bacs complètement vers l'extérieur.
2. Réinstaller le(s) bac(s) en les faisant glisser complètement au-delà de la butée.



Pour retirer le couvercle du ou des bacs :

1. Retirer le(s) bac(s).
2. En retenant fermement d'une main l'insertion en verre, pousser vers le haut au centre de l'insertion en verre jusqu'à ce qu'elle se soulève hors du cadre en plastique. Glisser délicatement l'insertion en verre vers l'avant pour la retirer.
3. Soulever le cadre du couvercle et le retirer.



Pour réinstaller le couvercle du ou des bacs :

REMARQUE : Avant de réinstaller le couvercle, s'assurer que la barre de renforcement en U est réinstallée à l'avant du couvercle du bac.

1. Introduire l'arrière du cadre du couvercle dans les supports sur les parois latérales du réfrigérateur et abaisser le devant du cadre du couvercle en place.
2. Faire glisser l'arrière de l'insertion en verre dans le cadre du couvercle et abaisser le devant en place.

Réglage de l'humidité dans le bac à légumes

Ce réglage permet de contrôler le degré d'humidité dans les bacs à légumes étanches. La commande peut être réglée à n'importe quel réglage entre LOW et HIGH.

En position LOW (ouvert) le réglage laisse échapper l'air humide pour mieux conserver les fruits et légumes à pelures.

- Fruits : Laver, laisser sécher et mettre au réfrigérateur dans un sac en plastique ou dans le bac à légumes. Ne pas laver ni équeuter les petits fruits avant le moment de leur utilisation. Les trier et les conserver dans l'emballage original dans le bac à légumes ou les conserver sur une tablette du réfrigérateur dans un sac fermé en papier sans être serré.
- Légumes à pelures : Placer dans des sacs en plastique ou contenants en plastique et ranger dans le bac à légumes.

En position HIGH (fermé) le réglage permet de retenir l'humidité à l'intérieur du bac pour mieux conserver les légumes frais et les légumes à feuilles.

- Légumes à feuilles : Laver à l'eau froide, égoutter et couper ou éliminer les sections endommagées et décolorées. Placer dans un sac ou un contenant en plastique et ranger dans le bac à légumes.



Tiroir à température contrôlée

Le tiroir pleine largeur à température contrôlée peut être utilisé pour remiser des grands plateaux de réception, de la charcuterie ou des boissons. Pour plus de flexibilité de remisage, le tiroir comporte une cloison et une commande de température ajustable.

REMARQUE : Ne pas placer de légumes à feuilles dans le tiroir à température contrôlée. Des températures plus froides peuvent endommager les légumes à feuilles.

Dépose et réinstallation du tiroir

Selon votre modèle, votre réfrigérateur peut avoir un ou deux styles de tiroir. Suivre les instructions appropriées au style de tiroir.

Style 1 - Tiroir à couvercle plat

Pour enlever le tiroir :

1. Tirer le tiroir pour l'ouvrir complètement.
2. Soulever l'avant du tiroir et le tirer tout droit pour le sortir.

Pour réinstaller le tiroir :

1. Pousser les glissières métalliques jusqu'à l'arrière du réfrigérateur.
2. Placer le tiroir sur les glissières et faire glisser le tiroir vers l'arrière du réfrigérateur.

Style 2 - Tiroir à couvercle basculant

Pour enlever le tiroir :

1. Soulever le couvercle. Tirer le tiroir pour l'ouvrir complètement.
2. Soulever l'avant du tiroir et le tirer tout droit pour le sortir.

Pour réinstaller le tiroir :

1. Pousser les glissières métalliques jusqu'à l'arrière du réfrigérateur.
2. Placer le tiroir sur les glissières et faire glisser le tiroir vers l'arrière du réfrigérateur.

Cloison de tiroir

Pour enlever la cloison :

1. Tirer le tiroir pour l'ouvrir complètement.
2. Soulever l'avant de la cloison pour la décrocher de la paroi arrière du tiroir et soulever la cloison pour la sortir.

Pour réinstaller la cloison :

1. Accrocher l'arrière de la cloison sur la paroi arrière du tiroir.
2. Abaisser la cloison en place.

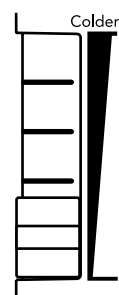
Commande de température du tiroir

La commande de température, située sous le couvercle sur le côté droit du tiroir, règle la quantité d'air froid pénétrant dans le tiroir.

REMARQUE : L'air froid dirigé dans le tiroir peut faire baisser la température du réfrigérateur. La température du réfrigérateur peut nécessiter un ajustement.

- Faire glisser la commande de température au réglage le moins froid si vous voulez que le tiroir soit à la même température que le compartiment de réfrigération.
- Faire glisser la commande de température à un réglage plus froid si vous voulez que le tiroir soit plus froid que le compartiment de réfrigération.

REMARQUE : Utiliser le réglage le plus froid pour la conservation de viandes.



Guide d'entreposage des viandes

La plupart des viandes peuvent être conservées dans leur emballage original tant que cet emballage est hermétique et à l'épreuve de l'humidité. Emballer de nouveau si nécessaire. Voir le tableau suivant pour les périodes de conservation. Si la viande doit être conservée pour une période plus longue que la durée donnée, faire congeler la viande.

Poissons, mollusques

ou crustacés frais..... utiliser le jour de l'achat

Poulet, boeuf haché, abats comestibles (foie)..... 1 à 2 jours

Charcuterie, steaks/rôtis..... 3 à 5 jours

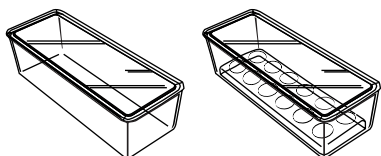
Viandes traitées..... 7 à 10 jours

Les restes - Couvrir les restes avec de la pellicule en plastique ou du papier d'aluminium. Il est convenable aussi d'utiliser des contenants en plastique avec couvercles hermétiques.

Casier utilitaire ou oeufrier

Selon le modèle que vous avez, vous pouvez avoir un oeufrier à une, deux ou trois pièces. Les oeufs peuvent être gardés dans l'oeufrier ou placés en vrac dans le casier.

REMARQUE : Les oeufs devraient être rangés dans un contenant couvert pour remisage à long terme. Si votre modèle ne comporte pas d'oeufrier ou de casier utilitaire, ranger les oeufs dans le contenant original sur une tablette intérieure.



CARACTÉRISTIQUES DU CONGÉLATEUR

Votre modèle peut comporter certaines ou toutes ces caractéristiques.

Paniers de congélateur

Enlever et réinstaller les paniers en broche :

Panier supérieur

1. Retirer tous les articles du panier. Enlever le panier en le tirant complètement et le soulever pour le sortir.
2. Réinstaller le panier en le glissant dans les rails moulés supérieurs. S'assurer que l'arrière du panier s'accroche derrière le taquet du rail.

Cloison du panier supérieur

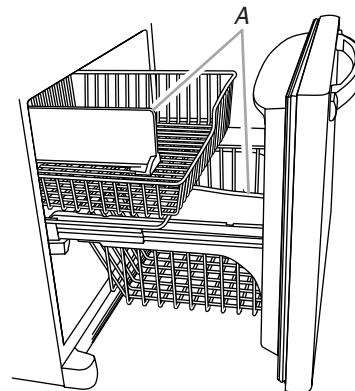
- La cloison du panier supérieur sépare la fabrication de glaçons du rangement des aliments congelés et empêche les glaçons de tomber derrière l'ensemble du panier.
- La cloison du panier supérieur est conçue pour ne pas être retirée et devrait rester dans le panier.

Panier inférieur

1. Retirer tous les articles du panier. Retirer le panier en le soulevant des rails guides.
2. Réinstaller le panier en le plaçant dans les rails guides.

Cloison du panier inférieur

La cloison du panier inférieur est conçue pour ne pas être retirée et devrait rester dans le panier.



A. Cloison

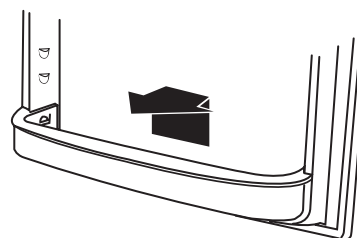
CARACTÉRISTIQUES DE LA PORTE

Votre modèle peut comporter certaines ou toutes ces caractéristiques.

Dispositif de retenue de la porte (sur certains modèles)

Pour enlever et réinstaller le dispositif de retenue de la porte :

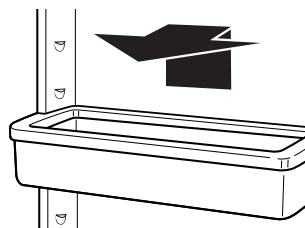
1. Enlever le dispositif de retenue en le soulevant et en le tirant tout droit pour le sortir.
2. Réinstaller le dispositif de retenue en le glissant en place au-dessus du support et en le poussant vers le bas jusqu'à ce qu'il s'arrête.



Balconnets dans la porte

Pour retirer et réinstaller les balconnets :

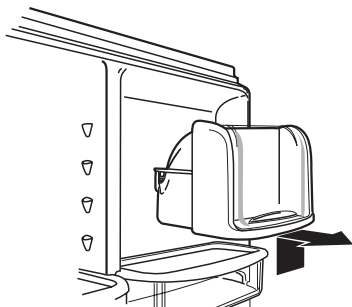
1. Retirer le balconnet en le soulevant et le tirant tout droit.
2. Réinstaller le balconnet en le glissant en place au-dessus du support désiré et en le poussant jusqu'à ce qu'il s'arrête.



Compartiment utilitaire

Pour enlever et réinstaller le compartiment utilitaire :

1. Enlever le compartiment utilitaire en le soulevant et en le tirant tout droit pour le sortir.
2. Réinstaller le compartiment utilitaire en le glissant en place au-dessus du support désiré et en le poussant jusqu'à ce qu'il s'arrête.



ENTRETIEN DU RÉFRIGÉRATEUR

Nettoyage

AVERTISSEMENT



Risque d'explosion

Utiliser un produit de nettoyage ininflammable.

Le non-respect de cette instruction peut causer un décès, une explosion ou un incendie.

Les sections de réfrigération et de congélation se dégivrent automatiquement. Toutefois, nettoyer les deux sections au moins une fois par mois pour empêcher une accumulation d'odeurs. Essuyer les renversements immédiatement.

Nettoyage du réfrigérateur :

1. Débrancher le réfrigérateur ou déconnecter la source de courant électrique.
2. Retirer toutes les pièces amovibles de l'intérieur, telles que les tablettes, bacs, etc.

3. Laver à la main, rincer et sécher les pièces amovibles et les surfaces internes à fond. Utiliser une éponge propre ou un linge doux et un détergent doux dans de l'eau tiède.
 - Ne pas utiliser des nettoyants abrasifs tels que les nettoyants à vitre en atomiseurs, nettoyants à récurer, liquides inflammables, cires nettoyantes, détergents concentrés, eaux de Javel ou nettoyants contenant du pétrole sur les pièces en plastique, les garnitures intérieures et de portes ou les joints de portes. Ne pas utiliser d'essuie-tout, tampons à récurer ou autres outils de nettoyage abrasifs. Ces produits risquent d'égratigner ou d'endommager les matériaux.
 - Pour aider à éliminer les odeurs, on peut laver les parois intérieures avec un mélange d'eau tiède et de bicarbonate de soude (2 c. à soupe pour 1 pinte [26 g pour 0,95 L] d'eau).
4. Déterminer si votre réfrigérateur a un extérieur en métal peint, en aluminium brossé ou en acier inoxydable et choisir la méthode de nettoyage appropriée.

Métal peint : Laver les surfaces extérieures avec une éponge propre ou un linge doux et un détergent doux dans de l'eau tiède. Ne pas utiliser de nettoyant fort ou abrasif, ni de nettoyant conçu pour l'acier inoxydable. Sécher à fond avec un linge doux. Pour mieux protéger les surfaces métalliques extérieures peintes contre les dommages, appliquer une cire pour appareil électroménager (ou cire en pâte pour automobiles) avec un linge propre et doux. Ne pas cirer les pièces en plastique.

Aluminium brossé : Laver avec une éponge propre ou un linge doux et un détergent doux dans de l'eau tiède. Ne pas utiliser de nettoyant fort ou abrasif, ni de nettoyant conçu pour l'acier inoxydable. Sécher à fond avec un linge doux.

Fini en acier inoxydable : Laver avec une éponge propre ou un linge doux et un détergent doux dans de l'eau tiède. Ne pas utiliser de nettoyants abrasifs. Sécher à fond avec un linge doux.

- Pour que votre réfrigérateur en acier inoxydable conserve son aspect neuf et pour enlever les petites égratignures ou marques, il est suggéré d'utiliser le nettoyant et poli pour acier inoxydable approuvé par le fabricant. Pour commander le nettoyant, voir la section "Accessoires".

IMPORTANT : Ce nettoyant doit être utilisé sur les pièces en acier inoxydable uniquement!

Veiller à ce que le nettoyant et poli pour acier inoxydable n'entre pas en contact avec les pièces de plastique telles que garnitures, couvercles de distributeurs ou joints de porte. En cas de contact accidentel, nettoyer la pièce de plastique avec une éponge et un détergent doux et de l'eau tiède. Sécher à fond avec un linge doux.

5. Le condenseur n'a pas besoin d'être nettoyé souvent dans des conditions de fonctionnement normales. Si l'environnement est particulièrement gras, poussiéreux, ou s'il y a des animaux domestiques dans la maison, le condenseur devrait être nettoyé tous les 2 ou 3 mois pour assurer une efficacité maximum.

Si vous avez besoin de nettoyer le condenseur :

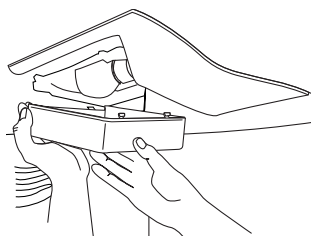
- Retirer la grille de la base. Voir l'illustration de la grille de la base ou la section "Grille de la base".
 - Utiliser un aspirateur à brosse douce pour nettoyer la grille, les endroits ouverts derrière la grille et la surface à l'avant du condenseur.
 - Replacer la grille de la base une fois terminé.
6. Brancher le réfrigérateur ou reconnecter la source de courant électrique.

Remplacement de l'ampoule d'éclairage

REMARQUE : Toutes les ampoules pour appareils ménagers ne conviennent pas à votre réfrigérateur. S'assurer de faire le remplacement par une ampoule de grosøeur, de forme et de puissance semblables.

Remplacement de l'ampoule du compartiment de réfrigération

1. Débrancher le réfrigérateur ou déconnecter la source de courant électrique.
2. Faire glisser l'écran de protection vers l'arrière du compartiment pour le libérer de l'ensemble d'éclairage.



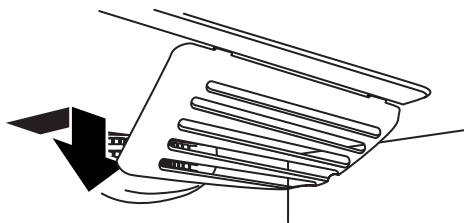
3. Remplacer la ou les ampoule(s) grillée(s) avec une ampoule électrique pour appareil ménager de pas plus de 40 watts.
4. Réinstaller l'écran de protection de l'ampoule en insérant les onglets de l'écran dans les trous appropriés de chaque côté de l'ensemble d'éclairage. Faire glisser l'écran de protection vers l'avant de l'unité jusqu'à ce qu'il se verrouille en place.

REMARQUE : Pour éviter d'endommager le couvercle de la lampe, ne pas forcer le couvercle au-delà du point de verrouillage.

5. Brancher le réfrigérateur ou reconnecter la source de courant électrique.

Remplacement de l'ampoule du compartiment de congélation

1. Débrancher le réfrigérateur ou déconnecter la source de courant électrique.
- REMARQUE :** On peut avoir besoin d'enlever la tablette ou le panier supérieur(e) du compartiment de congélation pour accéder à l'ensemble d'éclairage.
2. L'écran de protection de l'ampoule d'éclairage s'ouvre par l'arrière. Appuyer fermement sur les encoches à l'arrière de l'écran le tirer vers le bas.



3. Enlever l'écran de protection et remplacer l'ampoule grillée avec une ampoule pour appareil ménager de pas plus de 40 watts.
4. Insérer les onglets avant de l'écran dans le revêtement et enclencher la partie arrière sur l'ensemble d'éclairage.
5. Brancher le réfrigérateur ou reconnecter la source de courant électrique.

Pannes de courant

Si le courant électrique doit être interrompu pendant 24 heures ou moins, garder la ou les porte(s) (selon votre modèle) fermée(s) pour aider les aliments à demeurer froids et congelés.

Si le service doit être interrompu pendant plus de 24 heures, faire l'une des choses suivantes :

- Retirer tous les aliments congelés et les entreposer dans un casier frigorifique.
- Placer 2 lb (907 g) de neige carbonique dans le congélateur pour chaque pied cube (28 L) d'espace de congélation. Ceci permettra de garder les aliments congelés durant deux à quatre jours.
- S'il n'y a pas de casier frigorifique ni de neige carbonique, consommer ou mettre immédiatement en conserve les aliments périssables.

À NOTER : Un congélateur plein restera froid plus longtemps qu'un congélateur partiellement rempli. Un congélateur plein de viande demeure froid plus longtemps qu'un congélateur rempli d'aliments cuits. Si les aliments contiennent des cristaux de glace, ils peuvent être remis à congeler même si la qualité et la saveur risquent d'être affectées. Si les aliments semblent de piètre qualité, les jeter.

Entretien avant les vacances ou lors d'un déménagement

Vacances

Si vous choisissez de laisser le réfrigérateur en fonctionnement pendant votre absence :

1. Consommer tous les aliments périssables et congeler les autres.
2. Si votre réfrigérateur a une machine à glaçons automatique :
 - Soulever le bras de commande métallique à la position OFF (élevée).
 - Fermer l'approvisionnement d'eau de la machine à glaçons.
3. Vider le bac à glaçons.

Si vous choisissez d'arrêter le fonctionnement du réfrigérateur avant votre départ :

1. Enlever tous les aliments du réfrigérateur.
2. Si votre réfrigérateur a une machine à glaçons automatique :
 - Fermer l'approvisionnement d'eau de la machine à glaçons au moins une journée à l'avance.
 - Lorsque la dernière quantité de glaçons est déposée, soulever le bras de commande métallique à la position OFF (élevée).
3. Éteindre les commandes de température. Voir "Utilisation des commandes".
4. Nettoyer le réfrigérateur, l'essuyer et bien le sécher.
5. À l'aide d'un ruban adhésif, placer des blocs de caoutchouc ou de bois dans la partie supérieure de chaque porte de façon à ce qu'elles soient suffisamment ouvertes pour permettre l'entrée de l'air à l'intérieur, afin d'éviter l'accumulation d'odeur ou de moisissure.

Déménagement

Lorsque vous déménagez votre réfrigérateur à une nouvelle habitation, suivre ces étapes pour préparer le déménagement.

1. Si votre réfrigérateur a une machine à glaçons automatique :
 - Fermer l’approvisionnement d’eau de la machine à glaçons au moins une journée à l’avance.
 - Débrancher la canalisation d’eau de l’arrière du réfrigérateur.
 - Lorsque la dernière quantité de glaçons est déposée, soulever le bras de commande métallique à la position OFF (élevée).
2. Retirer tous les aliments du réfrigérateur et placer tous les aliments congelés dans de la neige carbonique.
3. Vider le bac à glaçons.
4. Éteindre les commandes de température. Voir “Utilisation des commandes”.

5. Débrancher le réfrigérateur.
6. Nettoyer, essuyer et sécher à fond.
7. Retirer toutes les pièces amovibles, bien les envelopper et les attacher ensemble à l’aide de ruban adhésif pour qu’elles ne bougent pas ni ne s’entrechoquent durant le déménagement.
8. Selon le modèle, soulever le devant du réfrigérateur pour qu’il roule plus facilement OU visser les pieds de nivellement pour qu’ils n’égratignent pas le plancher. Voir “Ajustement des portes”.
9. Fermer les portes à l’aide de ruban adhésif et fixer le cordon d’alimentation électrique au dos du réfrigérateur à l’aide de ruban adhésif.

Lorsque vous arriverez à votre nouvelle habitation, remettre tout en place et consulter la section “Instructions d’installation” pour les instructions de préparation. Aussi, si votre réfrigérateur a une machine à glaçons automatique, rappelez-vous de raccorder l’approvisionnement d’eau au réfrigérateur.

DÉPANNAGE

Essayer les solutions suggérées ici en premier afin d’éviter les coûts d’une visite de service inutile.

Le réfrigérateur ne fonctionne pas

- **Le cordon d’alimentation électrique est-il débranché?** Brancher sur une prise à 3 alvéoles reliée à la terre.
- **Un fusible est-il grillé ou le disjoncteur s’est-il déclenché?** Remplacer le fusible ou réenclencher le disjoncteur. Si le problème persiste, appeler un électricien.
- **Le réglage du réfrigérateur est-il à la position OFF (arrêt)?** Voir “Utilisation de la (des) commande(s)”, selon le modèle.
- **Le réfrigérateur est-il en train de se dégivrer?** Vérifier pour voir si le réfrigérateur fonctionne au bout de 30 minutes. Le réfrigérateur exécutera régulièrement un programme automatique de dégivrage.

Les ampoules n’éclairent pas

- **Le cordon d’alimentation électrique est-il débranché?** Brancher sur une prise à 3 alvéoles reliée à la terre.
- **Une ampoule d’éclairage est-elle desserrée dans la douille ou grillée?** Voir “Remplacement de la (des) ampoule(s) d’éclairage”, selon le modèle.

Le plat de dégivrage contient de l’eau

- **Le réfrigérateur est-il en train de se dégivrer?** L’eau s’évaporera. C’est normal que l’eau dégoutte dans le plat de dégivrage.
- **Y a-t-il plus d’humidité que d’habitude?** Prévoir que l’eau dans le plat de dégivrage prend plus de temps à s’évaporer. Ceci est normal quand il fait humide.

Le moteur semble fonctionner excessivement

- **La température ambiante est-elle plus chaude que d’habitude?** Prévoir que le moteur fonctionnera plus longtemps dans des conditions de chaleur. Pour des températures ambiantes normales, prévoir que le moteur fonctionne environ 40 % à 80 % du temps. Dans des conditions plus chaudes, prévoir un fonctionnement encore plus fréquent.
- **Vient-on d’ajouter une grande quantité d’aliments au réfrigérateur?** L’addition d’une grande quantité d’aliments réchauffe le réfrigérateur. Il est normal que le moteur fonctionne plus longtemps afin de refroidir de nouveau le réfrigérateur.
- **Les portes sont-elles ouvertes fréquemment?** Prévoir que le moteur fonctionnera plus longtemps dans ce cas. Afin de conserver l’énergie, essayer de sortir tout ce dont vous avez besoin du réfrigérateur à la fois, garder les aliments organisés et fermer la porte le plus tôt possible.
- **Les réglages sont-ils faits correctement pour les conditions ambiantes?** Voir “Utilisation de la (des) commande(s)”, selon le modèle.
- **Les portes sont-elles complètement fermées?** Bien fermer les portes. Si les portes ne ferment pas complètement, voir “Les portes ne se ferment pas complètement” plus loin dans cette section.
- **Les serpentins du condenseur sont-ils sales?** Cette situation empêche le transfert de l’air et fait travailler davantage le moteur. Nettoyer les serpentins du condenseur. Voir “Nettoyage”.

REMARQUE : Votre réfrigérateur neuf fonctionnera plus longtemps que l’ancien du fait de son moteur très efficace.

Le réfrigérateur semble faire trop de bruit

- **Les sons peuvent être normaux pour votre réfrigérateur.** Voir “Sons normaux”.

La machine à glaçons ne produit pas de glaçons ou pas assez

- **La machine à glaçons vient-elle juste d’être installée?** Attendre 72 heures pour le commencement de la production complète de glaçons. Une fois que le réfrigérateur a refroidi, la machine à glaçons devrait commencer à produire 70 à 120 glaçons à toutes les 24 heures.
- **La température du congélateur est-elle assez froide pour produire des glaçons?** Attendre 24 heures après le branchement pour la production de glaçons. Voir “Utilisation de la (des) commande(s)”, selon le modèle.
- **Le bras de commande en broche de la machine à glaçons est-il en position OFF (élevée)?** Abaisser le bras de commande en broche à la position ON (abaissée). Voir “Machine à glaçons”.
- **La valve de la canalisation d’eau reliée au réfrigérateur est-elle ouverte?** Ouvrir la valve d’eau. Voir “Raccordement de la canalisation d’eau”.
- **Y a-t-il de l’eau dans le moule de la machine à glaçons ou ne produit-elle pas de glaçons?** Vérifier pour voir si le réfrigérateur a été branché à la canalisation d’eau de votre domicile, et si le robinet d’arrêt de la canalisation est ouvert. Voir “Raccordement de la canalisation d’eau”.
- **Un glaçon est-il coincé dans le bras éjecteur?** Enlever le glaçon du bras éjecteur avec un ustensile en plastique. Voir “Machine à glaçons”.
- **Une grande quantité de glaçons vient-elle d’être enlevée?** Attendre 24 heures pour que la machine à glaçons produise plus de glaçons.
- **Les réglages sont-ils faits correctement?** Si très peu de glaçons sont produits, voir “Utilisation de la (des) commande(s)”, selon le modèle.
- **Un filtre à eau est-il installé sur le réfrigérateur?** Le filtre peut être obstrué ou incorrectement installé. Selon le modèle que vous avez, ôter la cartouche du filtre à eau. Voir “Système de filtration d’eau”. Faire fonctionner le distributeur. Si le débit d’eau s’accroît beaucoup, votre filtre est obstrué et doit être remplacé.
- **Un système de filtration de l’eau à osmose inverse est-il connecté à votre canalisation d’eau froide?** Voir “Spécifications de l’alimentation en eau”.

REMARQUE : Si cette situation n’est pas attribuable à ce qui précède, il peut exister un problème avec la canalisation d’eau. Faire un appel de service.

Mauvais goût, odeur ou couleur grise des glaçons

- **Les raccords de plomberie sont-ils neufs et causent-ils une décoloration et un mauvais goût des glaçons?** Jeter les premières quantités de glaçons.
- **Les glaçons ont-ils été gardés trop longtemps?** Jeter les vieux glaçons et en faire une nouvelle provision.
- **Les aliments dans le réfrigérateur ont-ils été bien emballés?** Voir “Caractéristiques du réfrigérateur”.
- **Le congélateur et le bac à glaçons ont-ils besoin d’être nettoyés?** Voir “Nettoyage”.
- **L’eau contient-elle des minéraux (tels que le soufre)?** L’installation d’un filtre peut être requise afin d’enlever les minéraux.
- **Un filtre à eau est-il installé dans le réfrigérateur?** Une décoloration grise ou foncée de la glace indique que le système de filtration de l’eau a besoin d’un rinçage additionnel. Faire couler de l’eau supplémentaire dans le distributeur d’eau pour mieux nettoyer le système de filtration de l’eau au moins 2 à 3 gallons (8 à 12 litres) ou pendant 5 minutes initialement. Jeter la glace décolorée.

Le distributeur d’eau ne fonctionne pas bien

- **Le système d’eau s’est-il rempli?** Le système d’eau a besoin d’être rempli la première fois qu’il est utilisé. Utiliser un contenant solide pour appuyer sur la barre de distribution d’eau jusqu’à ce que l’eau commence à couler. Purger le système d’eau en distribuant et en jetant de 2 à 3 gallons (8 à 12 L) d’eau. Le nettoyage du système prendra environ 5 minutes et contribuera à purger l’air de la canalisation. Une purge supplémentaire peut être nécessaire dans certains domiciles. Voir “Distributeur d’eau”.
- **Le robinet d’arrêt d’eau est-il ouvert ou la canalisation d’eau est-elle raccordée à la source?** Vérifier pour s’assurer que le robinet d’arrêt d’eau est ouvert et que la source d’eau est connectée au réfrigérateur. Voir “Raccordement de la canalisation d’eau”.
- **Le robinet d’arrêt d’eau est-il obstrué ou incorrectement installé?** Se référer à la section “Raccordement de la canalisation d’eau”. Si l’obstruction ou l’installation n’est pas un problème, faire un appel de service ou faire venir un plombier.
- **La canalisation de la source d’eau du domicile comporte-t-elle une déformation?** Si vous découvrez ou soupçonnez une déformation de la canalisation d’eau, contacter un plombier agréé.
- **Un filtre à eau est-il installé sur le réfrigérateur?** Le filtre peut être obstrué ou incorrectement installé. Vérifier d’abord les instructions d’installation du filtre pour s’assurer que le filtre a été installé correctement et n’est pas obstrué. Si l’installation ou l’obstruction n’est pas un problème, faire un appel de service.
- **Un système de filtration de l’eau à osmose inverse est-il connecté à votre canalisation d’eau froide?** Voir “Spécifications de l’alimentation en eau”.

Le débit d'eau du distributeur diminue beaucoup

- **Un filtre à eau est-il installé dans le réfrigérateur?** Le filtre peut être obstrué ou incorrectement installé. Selon le modèle que vous avez, ôter la cartouche du filtre à eau. Voir "Système de filtration d'eau". Faire fonctionner le distributeur. Si le débit d'eau s'accroît beaucoup, votre filtre est obstrué et doit être remplacé.

L'eau coule du distributeur

- **L'eau dégoutte-t-elle parce que le verre n'est pas tenu sous le distributeur d'eau assez longtemps?** Tenir le contenant sous le distributeur d'eau pendant 2 à 3 secondes après le relâchement du levier de distribution. L'eau peut continuer à couler durant ce temps.
- **Un filtre à eau est-il installé dans le réfrigérateur?** Il peut y avoir de l'air dans les canalisations du système de filtration de l'eau, ce qui cause des gouttes. Une purge supplémentaire pourrait aider à faire sortir l'air des canalisations. L'utilisation normale du distributeur devrait expulser l'air des canalisations en 24 à 72 heures.

L'eau du distributeur n'est pas assez froide

- **Le réfrigérateur vient-il d'être installé?** Accorder 24 heures pour que le réfrigérateur se refroidisse complètement.
- **Une grande quantité d'eau a-t-elle été récemment distribuée?** Accorder 24 heures pour que l'eau se refroidisse complètement.
- **N'a-t-on pas récemment distribué de l'eau?** Le premier verre d'eau peut ne pas être froid. Jeter le premier verre d'eau.

La cloison entre les deux sections est tiède

La température tiède est probablement attribuable à un fonctionnement normal du réglage automatique de l'humidité de l'extérieur.

La température est trop tiède

- **Les ouvertures d'aération sont-elles bloquées dans une section ou l'autre?** Cette obstruction empêche le mouvement de l'air froid entre les sections. Enlever tous les objets placés en avant des ouvertures d'aération. Consulter la section "Pour s'assurer d'une circulation d'air appropriée" pour l'emplacement des ouvertures d'aération.
- **La ou les portes sont-elles ouvertes souvent?** Le réfrigérateur deviendra tiède dans ce cas. Pour garder le réfrigérateur froid, essayer de sortir tout ce dont vous avez besoin du réfrigérateur en une fois, garder les aliments bien rangés et fermer la porte le plus tôt possible.
- **Vient-on d'ajouter une grande quantité d'aliments au réfrigérateur ou au congélateur?** L'addition d'une grande quantité d'aliments réchauffe le réfrigérateur. Plusieurs heures peuvent être nécessaires pour que le réfrigérateur revienne à la température normale.
- **Les réglages sont-ils faits correctement pour les conditions ambiantes?** Voir "Utilisation de la (des) commande(s)", selon le modèle.

Il existe une accumulation d'humidité à l'intérieur

- **Les ouvertures de circulation d'air sont-elles obstruées dans le réfrigérateur?** Enlever tous les objets devant les ouvertures d'aération. Consulter "Pour s'assurer d'une circulation d'air appropriée" pour l'emplacement des ouvertures d'aération.
- **La porte ou les portes sont-elles ouvertes souvent?** Pour éviter l'accumulation d'humidité, essayer de sortir tout ce dont vous avez besoin du réfrigérateur à la fois, garder les aliments bien rangés et fermer la porte le plus tôt possible.
- **La pièce est-elle humide?** Il est normal que de l'humidité s'accumule à l'intérieur du réfrigérateur lorsque l'air de l'extérieur est humide.
- **Les aliments sont-ils bien emballés?** Vérifier que tous les aliments sont bien emballés. Essuyer les contenants humides d'aliments avant de les placer au réfrigérateur.
- **Les réglages sont-ils faits correctement pour les conditions ambiantes?** Voir "Utilisation de la (des) commande(s)", selon le modèle.
- **Un programme autodégivreur vient-il de se terminer?** Il est normal que des gouttelettes se forment après le dégivrage automatique du réfrigérateur.

Les portes sont difficiles à ouvrir

- **Les joints sont-ils sales ou collants?** Nettoyer les joints et la surface avec laquelle ils sont en contact. Appliquer en frottant une couche très mince de cire de paraffine sur les joints après le nettoyage.

Les portes ne se ferment pas complètement

- **Les aliments emballés empêchent-ils la porte de fermer?** Réorganiser les contenants de sorte qu'ils soient plus rapprochés et prennent moins d'espace.
- **Le bac à glaçons est-il en bonne position?** Pousser le bac à glaçons jusqu'au fond.
- **Le couvercle du bac à légumes, les plats, tablettes, bacs ou paniers sont-ils en bonne position?** Placer les éléments à la position correcte. Voir plus de renseignements à la section "Caractéristiques du réfrigérateur".
- **Les joints collent-ils?** Nettoyer les joints et la surface avec laquelle ils sont en contact. Appliquer en frottant une couche très mince de cire de paraffine sur les joints après le nettoyage.
- **Le réfrigérateur branle-t-il ou semble-t-il instable?** Nivelier le réfrigérateur. Consulter la section "Ajustement des portes".
- **Les portes ont-elles été enlevées durant l'installation de l'appareil et mal réinstallées?** Enlever et replacer les portes conformément à la section "Portes du réfrigérateur" ou téléphoner à un technicien qualifié.

ASSISTANCE OU SERVICE

Avant de demander une assistance ou un service, veuillez vérifier la section "Dépannage". Cette vérification peut vous faire économiser le coût d'une visite de réparation. Si vous avez encore besoin d'aide, suivre les instructions ci-dessous.

Lors d'un appel, veuillez connaître la date d'achat et les numéros au complet de modèle et de série de votre appareil. Ces renseignements nous aideront à mieux répondre à votre demande.

Si vous avez besoin de pièces de rechange

Si vous avez besoin de commander des pièces de rechange, nous vous recommandons d'utiliser seulement des pièces d'origine spécifiées par l'usine. Les pièces d'origine spécifiées par l'usine fonctionneront bien parce qu'elles sont fabriquées selon les mêmes spécifications précises utilisées pour construire chaque nouvel appareil KitchenAid®.

Pour localiser des pièces d'origine dans votre région, téléphoner à notre Centre d'interaction avec la clientèle ou au centre de service désigné le plus proche.

Téléphoner sans frais au Centre d'interaction avec la clientèle de KitchenAid Canada au : **1-800-807-6777**.

Nos consultants fournissent de l'assistance pour :

- Caractéristiques et spécifications de notre gamme complète d'appareils électroménagers.
- Installation information.
- Use and maintenance procedures.
- Les références aux concessionnaires locaux, repair parts distributors, and service companies. KitchenAid designated service technicians are trained to fulfill the product warranty and provide after-warranty service, anywhere in the United States.

Pour plus d'assistance

Si vous avez besoin de plus d'assistance, vous pouvez écrire à KitchenAid Canada en soumettant toute question ou problème à :

Centre d'interaction avec la clientèle
KitchenAid Canada
1901 Minnesota Court
Mississauga, Ontario L5N 3A7

Dans votre correspondance, veuillez indiquer un numéro de téléphone où on peut vous joindre dans la journée.

Accessoires

Pour commander des accessoires, composer le **1-800-442-9991** et demander le numéro de pièce approprié ci-dessous ou contacter votre marchand KitchenAid autorisé. Au Canada, composer le **1-800-807-6777**.

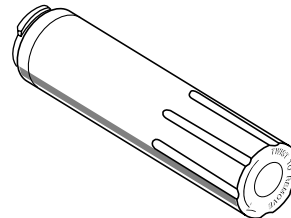
Nettoyant et poli pour acier inoxydable

Commander le n° de pièce 8171420

Filtre à eau de remplacement :

REMARQUE : Ne pas utiliser ce produit pour le filtrage d'une eau microbiologiquement dangereuse ou de qualité inconnue en l'absence d'un dispositif de désinfection adéquat avant ou après le système. Les systèmes certifiés pour la réduction de kyste peuvent être utilisés pour l'eau désinfectée qui peut contenir des kystes filtrables.

Commander le n° de pièce 4396395 (67003523)



FEUILLES DE DONNÉES SUR LE PRODUIT

Système de filtration d'eau intérieur Modèle 67003523-750 capacité : 750 gallons (2839 litres)



Produit testé et certifié par NSF International en vertu de la norme NSF/ANSI 42 pour la réduction du goût et de l'odeur du chlore, et particules (classe I*); et en vertu de la norme NSF/ANSI 53 pour la réduction de plomb, mercure, atrazine, toxaphène, kystes, turbidité, amiante, et lindane.

Ce produit a été testé selon les normes 42 et 53 ANSI/NSF pour la réduction des substances énumérées ci-dessous. La concentration des substances indiquées dans l'eau entrant dans le système a été réduite à une concentration moindre ou égale à la limite permmissible pour l'eau qui quitte le système, tel que spécifié dans 42 et 53 ANSI/NSF.

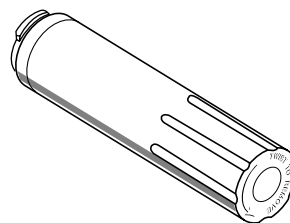
Réd. de substances Effets esthétiques	Critères de réduction NFS	Affluent moyen	Concentration dans l'eau à traiter	Effluent maximal	Effluent moyen	% de réd. minimale	% de réd. moyenne
Goût/odeur de chlore Particules (classe I*)	réduction de 50 % réduction de 85 %	1,88 mg/L 5 700 000 #/mL	2,0 mg/L ± 10 % Au moins 10 000 particules/mL	0,06 mg/L 69 000 #/mL**	0,05 mg/L 30,583 #/mL	96,84 98,94	>97,26 99,52
Réduction de contaminant	Critères de réduction NFS	Affluent moyen	Concentration dans l'eau à traiter	Effluent maximal	Effluent moyen	% de réd. minimale	% de réd. moyenne
Plomb : à pH 6,5 Plomb : à pH 8,5	0,010 mg/L 0,010 mg/L	0,153 mg/L [†] 0,150 mg/L [†]	0,15 mg/L ± 10 % 0,15 mg/L ± 10 %	< 0,001mg/L < 0,001mg/L	< 0,001mg/L < 0,001mg/L	>99,29% >99,29%	>99,35 % >99,33 %
Mercure : à pH 6,5 Mercure : à pH 8,5	0,002 mg/L 0,002 mg/L	0,006 mg/L 0,006 mg/L	0,006 mg/L ± 10 % 0,006 mg/L ± 10 %	0,0005 mg/L 0,0015 mg/L	0,0003 mg/L 0,0008 mg/L	90,91 75,93	95,70 86,22
Toxaphène	0,003 mg/L	0,015 mg/L	0,015 ± 10%	< 0,001mg/L	< 0,001mg/L	91,67%	92,97 %
Atrazine	0,003 mg/L	0,009mg/L	0,009 mg/L ± 10 %	< 0,002 mg/L	< 0,002 mg/L	75,31 %	76,99 %
Amiante	99 %	155 MF/L	10 ⁷ à 10 ⁸ fibres/L ^{††}	<1 MF/L	<1 MF/L	>99,99 %	>99,99 %
Kystes [‡] Turbidité	>99,95 % 0,5 NTU	166 500 #/L 10,7 NTU	50 000/L min. 11 ± 1 NTU	<1 #/L [‡] 0,49 NTU	<1 #/L [‡] 0,31 NTU	>99,99 95,2	>99,99 97,09
Lindane	0,0002 mg/L	0,002 mg/L	0,002 ± 10 %	< 0,0001mg/L	0,000 mg/L	96,50 %	98,72 %

Paramètres de test : pH = 7,5 ± 0,5 à moins d'indications contraires. Débit = 0,78 gpm (1,9 Lpm). Pression = 60 lb/po² (413,7 kPa).
Température = 68°F à 71,6°F (20°C à 22°C).

- Il est essentiel que les exigences de fonctionnement, d'entretien et de remplacement de filtre soient respectées pour que ce produit donne le rendement annoncé.
- Le système de contrôle du filtre mesure la quantité d'eau qui passe par le filtre et vous alerte lorsqu'il faut remplacer le filtre. Lorsque 90 % de la vie estimée du filtre sont utilisés, le témoin jaune (Order/commander) s'allume. Lorsque 100 % de la vie estimée du filtre sont utilisés, le témoin rouge (Replace/remplacer) s'allume et il est recommandé de remplacer le filtre. Utiliser une cartouche de remplacement 67003523, n° de pièce 4396395. Prix suggéré au détail en 2005 de 49,99 \$US/65,95 \$CAN. Les prix sont sujets à des changements sans préavis.
- Le produit ne doit être utilisé que pour l'eau froide.
- Ne pas utiliser ce produit pour le filtrage d'une eau microbiologiquement dangereuse ou de qualité inconnue en l'absence d'un dispositif de désinfection adéquat avant ou après le système. Les systèmes certifiés pour la réduction de kyste peuvent être utilisés pour l'eau désinfectée qui peut contenir des kystes filtrables.
- Veuillez vous référer à la couverture arrière ou à la section "Accessoires" pour le nom, l'adresse et le numéro de téléphone du fabricant.
- Veuillez vous référer à la section "Garantie" pour la garantie limitée du fabricant.

Directives d'application/Paramètres d'approvisionnement en eau

Approvisionnement en eau	Collectivité ou puits
Pression de l'eau	35 - 100 lb/po ² (241 - 689 kPa)
Température de l'eau	33° - 100°F (1° - 38°C)
Débit nominal	0,78 gpm (2,9 Lpm à 60 lb/po ²)



*Classe I - taille des particules : > 0,5 à <1 µm

**Exigence de test : au moins 100 000 particules/mL (poussière de test fine AC).

[†]Ces contaminants ne sont pas nécessairement présents dans votre approvisionnement d'eau. Le rendement peut varier selon les conditions locales de l'eau.

^{††}Fibres de longueur supérieure à 10 µm

[‡]Cas de la filtration de kystes de *Cryptosporidium parvum*

GARANTIE DU RÉFRIGÉRATEUR KITCHENAID®

GARANTIE LIMITÉE DE UN AN

Pendant un an à compter de la date d'achat, lorsque ce gros appareil ménager est utilisé et entretenu conformément aux instructions jointes à ou fournies avec le produit, KitchenAid ou KitchenAid Canada (ci-après désignées "KitchenAid") paiera pour les pièces spécifiées par l'usine et la main-d'œuvre pour corriger les vices de matériaux ou de fabrication. Le service doit être fourni par une compagnie de service désignée par KitchenAid.

Sur les modèles avec un filtre à eau : garantie limitée de 30 jours sur le filtre à eau. Pendant 30 jours à compter de la date d'achat, lorsque ce filtre est utilisé et entretenu conformément aux instructions jointes à ou fournies avec le produit, KitchenAid paiera pour les pièces de rechange pour corriger les vices de matériaux ou de fabrication.

GARANTIE LIMITÉE DE LA DEUXIÈME À LA CINQUIÈME ANNÉE INCLUSIVEMENT SUR LA DOUBLURE DE LA CAVITÉ ET LES PIÈCES DU SYSTÈME DE RÉFRIGÉRATION SCÉLLÉ

De la deuxième à la cinquième année inclusivement à compter de la date d'achat, lorsque ce gros appareil ménager est utilisé et entretenu conformément aux instructions jointes à ou fournies avec le produit, KitchenAid paiera pour le remplacement ou la réparation de la doublure de la cavité du réfrigérateur/congélateur (frais de main-d'œuvre inclus) si la pièce se fissure à cause de vices de matériaux ou de fabrication. De même, de la deuxième à la cinquième année inclusivement à partir de la date d'achat, KitchenAid paiera pour les pièces spécifiées par l'usine pour corriger les vices de matériaux ou de fabrication dans le système de réfrigération scellé. Il s'agit des pièces suivantes : compresseur, évaporateur, condenseur, séchoir et conduits de connexion. Le service doit être fourni par une compagnie de service désignée par KitchenAid.

GARANTIE LIMITÉE DE LA SIXIÈME À LA DIXIÈME ANNÉE INCLUSIVEMENT SUR LES PIÈCES DU SYSTÈME DE RÉFRIGÉRATION SCÉLLÉ

De la sixième à la dixième année inclusivement à compter de la date d'achat, lorsque ce gros appareil ménager est utilisé et entretenu conformément aux instructions jointes à ou fournies avec le produit, KitchenAid paiera pour les pièces spécifiées par l'usine pour corriger les vices de matériaux ou de fabrication dans le système de réfrigération scellé. Il s'agit des pièces suivantes : compresseur, évaporateur, condenseur, séchoir et conduits de connexion.

KITCHENAID NE PRENDRA PAS EN CHARGE

1. Les visites de service pour rectifier l'installation du gros appareil ménager, montrer à l'utilisateur comment utiliser l'appareil, remplacer ou réparer des fusibles ou rectifier le câblage ou la plomberie du domicile.
2. Les visites de service pour réparer ou remplacer les ampoules électriques de l'appareil, les filtres à air ou les filtres à eau.
3. Les réparations lorsque le gros appareil ménager est utilisé à des fins autres que l'usage unifamilial normal.
4. Les dommages imputables à : accident, modification, usage impropre ou abusif, incendie, inondation, actes de Dieu, installation fautive ou installation non conforme aux codes d'électricité ou de plomberie, ou l'utilisation de produits non approuvés par KitchenAid.
5. Toute perte d'aliments due à une défaillance du réfrigérateur ou du congélateur.
6. Le coût des pièces de rechange et de la main-d'œuvre pour les appareils utilisés hors des États-Unis ou du Canada.
7. Le ramassage et la livraison. Ce gros appareil ménager est conçu pour être réparé à domicile.
8. Les réparations aux pièces ou systèmes résultant d'une modification non autorisée faite à l'appareil.
9. Les frais de voyage ou de transport pour le service d'un produit dans les régions éloignées.
10. La dépose et la réinstallation de votre appareil si celui-ci est installé dans un endroit inaccessible ou n'est pas installé conformément aux instructions d'installation fournies.

CLAUSE D'EXONÉRATION DE RESPONSABILITÉ AU TITRE DES GARANTIES IMPLICITES; LIMITATION DES RECOURS

LE SEUL ET EXCLUSIF RECOURS DU CLIENT DANS LE CADRE DE LA PRÉSENTE GARANTIE LIMITÉE CONSISTE EN LA RÉPARATION PRÉVUE CI-DESSUS. LES GARANTIES IMPLICITES, Y COMPRIS LES GARANTIES APPLICABLES DE QUALITÉ MARCHANDE ET D'APTITUDE À UN USAGE PARTICULIER, SONT LIMITÉES À UN AN OU À LA PLUS COURTE PÉRIODE AUTORISÉE PAR LA LOI. KITCHENAID N'ASSUME AUCUNE RESPONSABILITÉ POUR LES DOMMAGES FORTUITS OU INDIRECTS. CERTAINES JURIDICTIONS NE PERMETTENT PAS L'EXCLUSION OU LA LIMITATION DES DOMMAGES FORTUITS OU INDIRECTS, OU LES LIMITATIONS DE LA DURÉE DES GARANTIES IMPLICITES DE QUALITÉ MARCHANDE OU D'APTITUDE À UN USAGE PARTICULIER, DE SORTE QUE CES EXCLUSIONS OU LIMITATIONS PEUVENT NE PAS S'APPLIQUER DANS VOTRE CAS. CETTE GARANTIE VOUS CONFÈRE DES DROITS JURIDIQUES SPÉCIFIQUES ET VOUS POUVEZ ÉGALEMENT JOUIR D'AUTRES DROITS QUI PEUVENT VARIER D'UNE JURIDICTION À UNE AUTRE.

À l'extérieur du Canada et des 50 États des États-Unis, cette garantie ne s'applique pas. Contacter votre marchand KitchenAid autorisé pour déterminer si une autre garantie s'applique.

Si vous avez besoin de service, voir d'abord la section "Dépannage" du Guide d'utilisation et d'entretien. Après avoir vérifié la section "Dépannage", de l'aide supplémentaire peut être trouvée en vérifiant la section "Assistance ou service" ou en appelant KitchenAid. Aux É.-U., composer le **1-800-422-1230**. Au Canada, composer le **1-800-807-6777**. 9/05

Conservez ce manuel et votre reçu de vente ensemble pour référence ultérieure. Pour le service sous garantie, vous devez présenter un document prouvant la date d'achat ou d'installation.

Inscrivez les renseignements suivants au sujet de votre gros appareil ménager pour mieux vous aider à obtenir assistance ou service en cas de besoin. Vous devrez connaître le numéro de modèle et le numéro de série au complet. Vous trouverez ces renseignements sur la plaque signalétique située sur le produit.

Nom du marchand _____

Adresse _____

Numéro de téléphone _____

Numéro de modèle _____

Numéro de série _____

Date d'achat _____

